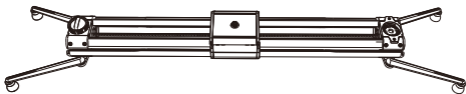


English

Micro3

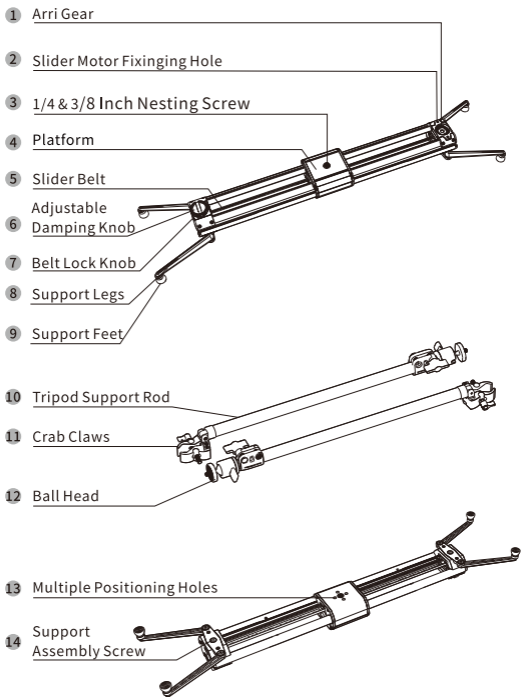
Double Distance Slider

M500/M700/M1000

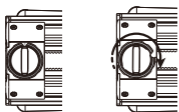


Manual

Product Description

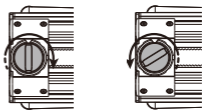


Adjustable Damping



The damping setting can be adjusted between 1 and 5. The higher the number, the higher the resistance

Belt Lock Feature

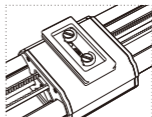
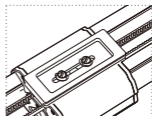
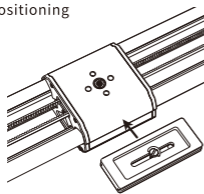


Lock

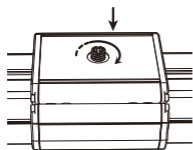
Unlock

Quick Release Plate Installation

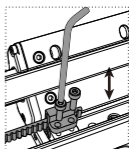
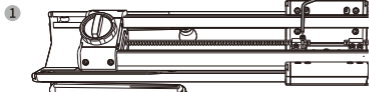
Supports 1/4 and 3/8 inch screws with multiple holes for more secure positioning



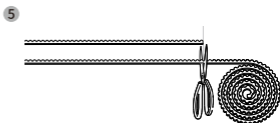
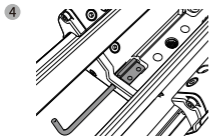
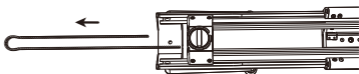
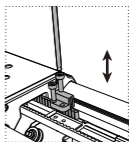
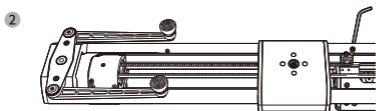
Nesting Screw With Hidden Design



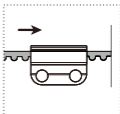
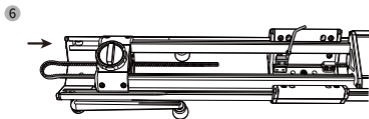
Belt change



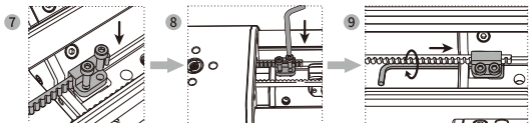
Loosen the screw and push out the belt



3M rubber synchronous belt



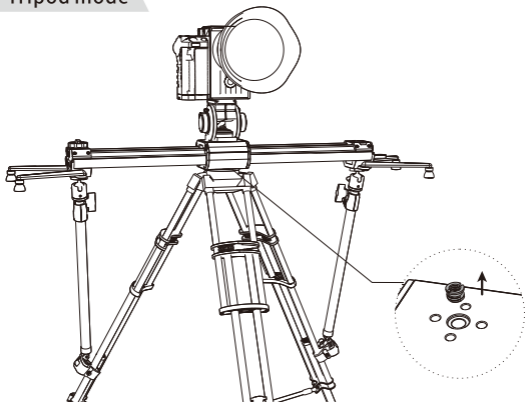
Install the belt, the other end needs to remain two more gears



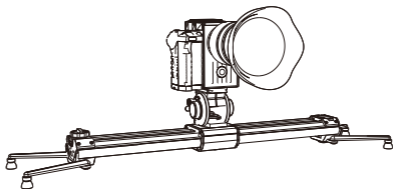
Adjustable support feet



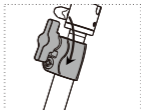
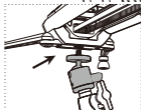
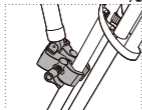
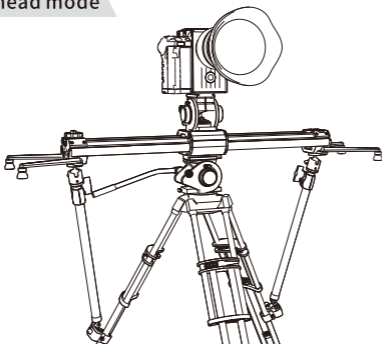
Tripod mode



Ground Mode

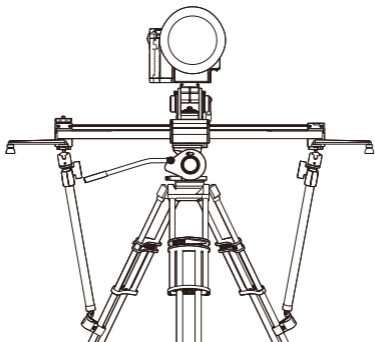


Dual head mode

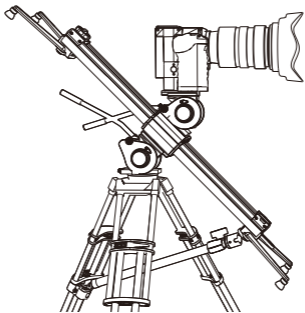


* After adjusting the use angle, all knobs and joints must be locked

Horizontal Mode



Tilting mode



Tips

All parts of the slider have been pre-adjusted to reach the best state of tightness and smoothness. Please do not disassemble without permission, otherwise it is difficult to return to the initial state, which will compromise the slider performance.

The slider shown in this manual is: M1000.

The tripod, gimbal, quick release plate and other equipments shown in this manual are not included in this package and are only for demonstration.

Safety Payload		
Product Model	Horizontal limit load	Vertical limit load
M500	12KG	4.5KG
M700	12KG	4.5KG
M1000	12KG	4KG