

VM40

Super Cardioid Dual-Channel Wireless Shotgun Microphone

User Manual

Foreword

Thanks for purchasing COMICA VM40 Super Cardioid Dual-Channel Wireless Shotgun Microphone

Main Features

- Dual-channel Wireless Shotgun Mic, 14mm Gold-plating Capsule
- 48kHz/32-bit Float Recording, Wired/Wireless Dual Modes
- 32G On-board Recording for 40-hour Audio Storage
- Exclusive Comica Audio APP for More Functions
- Support One-key Denoise/Low-cut/High-frequency Boost
- Digital&Analog Outputs, Universal for Camera/Smartphone/PC
- Intelligent Power Switch and Auto-sensing 3.5mm Output
- Support Mono/Stereo/Safety Mode and Real-time Monitor
- OLED Screen for Monitoring and Visual Operation
- Battery Life Up to 32H/10H in Wired/Wireless Mode
- Working Range Up to 200m, Stable&Low Latency(Open Area)
- Upgraded Shock-mount&Windproof Accessory

Notice

- ⚠ When it needs to be used for a long time, it can be connected to the external power to realize charging while using. AC/DC power is not supported to avoid noise problem
- ⚠ In wireless mode, for a better recording effect, please adjust the gain of the transmitter first. After the transmitter is adjusted to the maximum gain level, then adjust the gain of the receiver accordingly
- ⚠ The device is a high-precision instrument. Please avoid falling, collision, or pounding
- ⚠ Do not use this equipment in the vicinity of heat sources or interference sources, such as radiators, ovens, refrigerators, or air conditioners
- ⚠ If the pick-up distance is close or when used outdoors, please put on the wind muff to prevent sound bursts or reduce wind noise
- ⚠ Do not use the equipment in the rain or in a damp environment to avoid short-circuit danger



Please use it face-to-face, and don't turn your back to the receiver. Otherwise, it is easy to generate breakpoints



Don't block the antenna positions of the TX and RX during use to avoid affecting the wireless distance

Packing List

One-channel Version

Main Parts:



Shotgun Microphone(Transmitter) *1



Receiver*1

Accessories:



2 in 1 Charging
& Output Cable*1



3.5mm TRS-TRS
Audio Output Cable*1



3.5mm TRRS-TRRS
Audio Output Cable*1



Shock Mount*1



3/8 Male to 5/8 Female
Stand Adapter*1



5/8 Male to 3/8
Female Screw*1



3/8 Male to 1/4
Female Screw*1



Windscreen*1



Wind-muff*1



Pin*1



Carry Case*1



User Manual*1



Warranty Card*1

Dual-channel Version

Main Parts:



Shotgun Microphone(Transmitter) *2



Receiver*1

Accessories:



2 in 1 Charging & Output Cable*1



3.5mm TRS-TRS Audio Output Cable*1



3.5mm TRRS-TRRS Audio Output Cable*1



3 in 1 Charging Cable*1



Shock Mount*2



3/8 Male to 5/8 Female Stand Adapter*2



5/8 Male to 3/8 Female Screw*2



3/8 Male to 1/4 Female Screw*2



Windscreen*2



Wind-muff*2



Pin*1



Carry Case*1



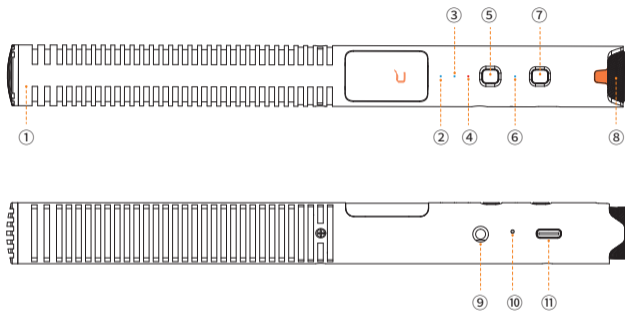
User Manual*1




Warranty Card*1

Components and Instruction

Microphone(Transmitter)



1. Mic Capsule
2. Low-cut Indicator: Lights up blue when low-cut is turned on
3. High-frequency Boost Indicator: Lights up blue when high-frequency boost is turned on
4. On-board Recording Indicator: Lights up red when on-board recording is turned on
5. Function Button: Short-press to switch on/off low-cut/high-frequency boost; long-press to turn on/off on-board recording
6. Working Indicator: Green light on in wired mode; in wireless mode, blue light flashes when pairing, and blue light on when paired
7. Mode Button: When the audio cable is connected, long press to turn on/off the wireless mode; when the audio cable is not connected, long press to turn on the microphone and enter wireless mode/turn off the microphone; short press to switch on/off the safety mode

 When the microphone is powered off, long press the function button and the mode button in sync to enter the copy mode. Connect the microphone to the computer via the 2 in 1 charging & output cable to copy the on-board recording audio

8. Gain Control Knob: Rotate to adjust the gain
9. 3.5mm Output Port: To identify TRS/TRRS plug automatically and output analog audio; microphone automatically turns on/off when connecting/disconnecting a device
10. Pairing Hole: When the wireless connection is abnormal, use the pin to short-press the pairing hole to re-pair
11. USB-C Port: Connect USB device to output digital audio; microphone automatically turns on/off when connecting/disconnecting a device; connect a power source to charge; connect a computer to copy on-board recording audio

Screen Display Instruction



Wireless Mode Off



Pairing...



Paired

Nor: Normal Mode

Sft: Safety Mode



Battery Power

On-board
Recording Time

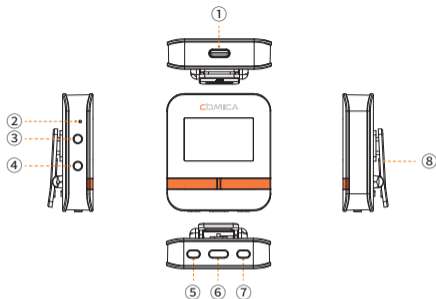
Audio Dynamic Bar

(Recording Mode)



(Copy Mode)

Receiver

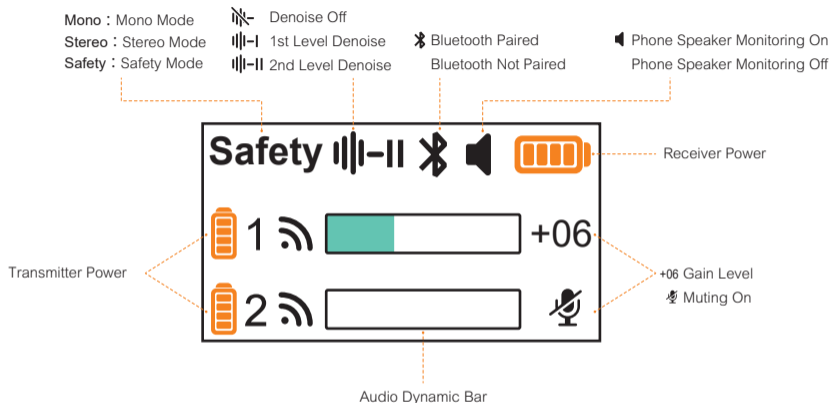



1. USB-C Output/Charging Port: Connect USB device to output digital audio; connect to a power source for charging
2. Pairing Hole: When the wireless connection is abnormal, use the pin to short-press the pairing hole to re-pair
3. 3.5mm Output Port: To identify TRS/TRRS plug automatically and output analog audio
4. 3.5mm Monitoring Port: Plug in 3.5mm TRS/TRRS earphones for monitoring
5. CH1/Denoise Button: In single channel, short press to reduce microphone gain; in dual channel, short press to increase and decrease the gain of channel 1 in a cycle; long press to adjust the denoise of channel 1 and channel 2 in a cycle(turn on 1st level denoise - turn on 2nd level denoise - turn off denoise)
6. Power/Mode Button: Long press to power on/off; short press to switch mono/stereo/safety mode
7. CH2/On-board Recording Button: In single channel, short press to increase microphone gain; in dual channel, short press to increase and decrease the gain of channel 2 in a cycle; long press to turn on/off the on-board recording of channel 1 and channel 2 in sync
8. Belt Clip



Long-press the CH1 button and CH2 button in sync to reset the Bluetooth. After resetting, the microphone can be connected to a new phone by Comica Audio App

Screen Display Instruction



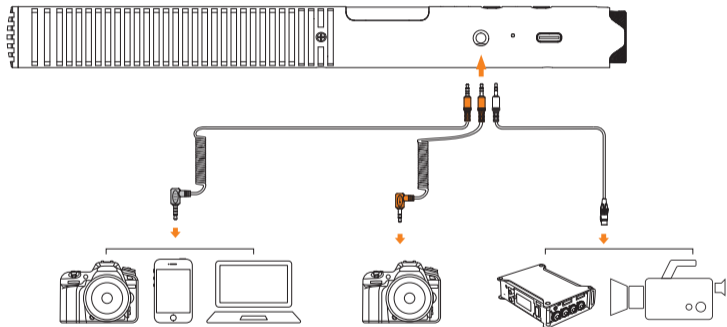
-  1. When the receiver outputs audio through the USB port, it is monitored by the phone speaker by default. Users can switch between phone speaker monitoring and receiver headphone monitoring through the Comica Audio App. For detailed instructions, kindly refer to the App operation guide at the manual's end
2. One audio dynamic bar is displayed in one channel, and two audio dynamic bars are displayed in two channels
3. The mute function can be turned on/off through the App

Installation and Usage

Wired Mode

3.5mm Analog Output

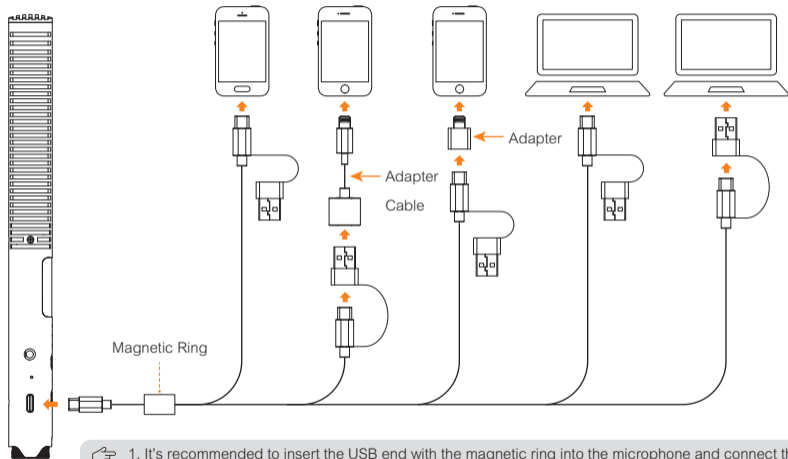
Connect the shotgun microphone to the camera/smartphone/computer through the 3.5mm audio cables, or connect to the camcorder/recorder through the 3.5mm TRS-XLR audio cable



1. TRRS-TRRS audio cable for cameras/smartphones/computers, TRS-TRS audio cable for some cameras not compatible with TRRS-TRRS audio cable, TRS-XLR audio cable for recorders/camcorders(Please prepare by yourself)
2. When using a non-step-down TRS-XLR audio cable, do not turn on the 48V phantom power of the recorder /camera, and the shotgun microphone must be turned on and off manually; when using a step-down TRS-XLR audio cable, users can turn on the 48V phantom power, and the shotgun microphone can turn on and off automatically

USB Digital Output

Connect the shotgun microphone to the smartphone or computer through the 2 in 1 charging & output cable and related OTG audio adapter/cable(if needed)

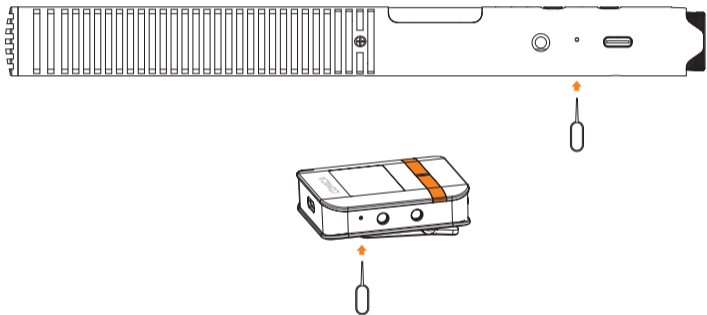


1. It's recommended to insert the USB end with the magnetic ring into the microphone and connect the other end to the smartphone/computer
2. When using with Lightning interface devices, please prepare a USB-Lightning adapter/cable that supports OTG function

Wireless Mode

Paired (The transmitter and receiver are paired by default at the factory)

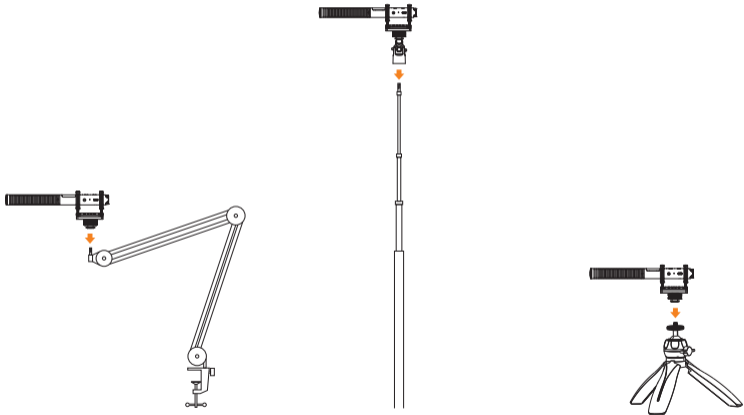
If the wireless connection is abnormal, short-press the pairing holes of the transmitter and receiver with the pin to re-pair



Usage

Microphone(Transmitter)

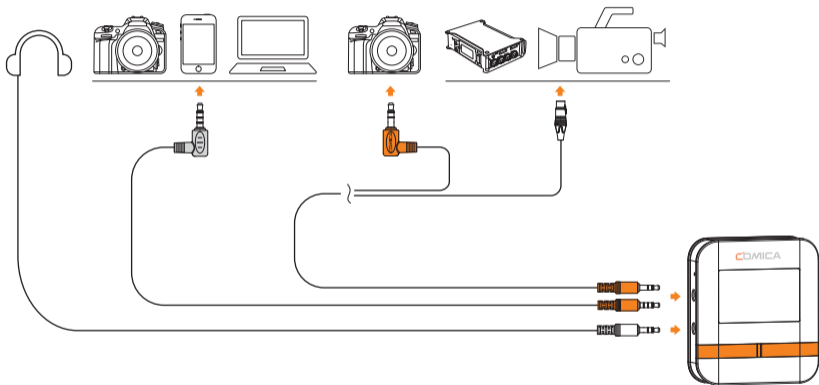
Use with arm stands, boom poles, and tripods



Receiver

3.5mm Analog Output

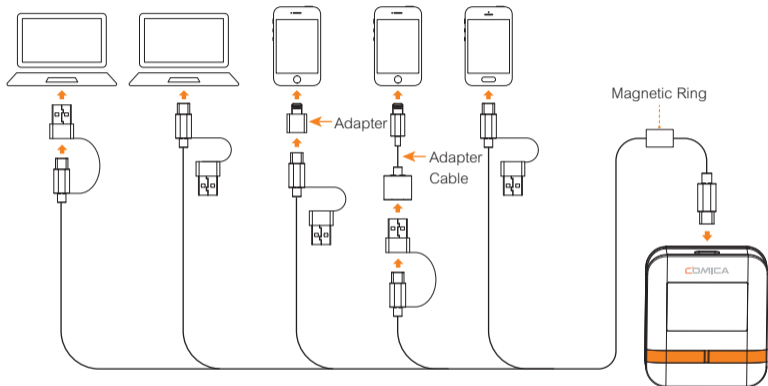
Connect the receiver to the camera/smartphone/computer through the 3.5mm audio cable, or connect to the camcorder/recorder through the 3.5mm TRS-XLR audio cable; Monitoring according to individual needs



👉 TRRS-TRRS audio cable for cameras/smartphones/computers, TRS-TRS audio cable for some cameras not compatible with TRRS-TRRS audio cable, TRS-XLR audio cable for recorders/camcorders(Please prepare by yourself)

USB Digital Output

Connect the receiver to the smartphone/computer through the 2 in 1 charging & output cable and related OTG audio adapter/cable(if needed)



1. It's recommended to insert the USB end with the magnetic ring into the receiver and connect the other end to the smartphone/computer
2. When using Lightning interface devices, please purchase a USB-Lightning adapter/cable that supports the OTG function

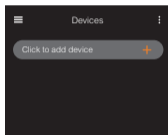
App Operation

1. Search and download the "Comica Audio" App in your mobile app store

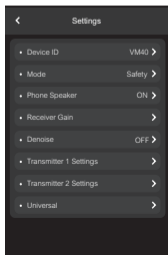


Comica Audio

2. Turn on the Bluetooth of your mobile phone
3. Open the App to search and pair device VM40



4. The receiver and transmitter can be set and operated through the App



Firmware upgrade

Download the VM40 firmware upgrade package to your computer from the Comica official website

Shotgun microphone upgrade

Enter the copy mode when the mic is turned off (long-press the function button and mode button in sync), then connect the mic to the computer via a USB data cable, copy the firmware upgrade package to the VM40 TX---UPDATA folder, disconnect the USB data cable and restart the mic to upgrade automatically

Receiver upgrade

Enter the copy mode when the receiver is turned off (press and hold the CH1 or CH2 button, and long-press the power button), then connect the receiver to the computer via a USB data cable, copy the firmware upgrade package to the VM40 RX---UPDATA folder, disconnect the USB data cable and restart the receiver to upgrade automatically

Bluetooth connection upgrade

Open the Comica Audio App and connect the VM40 microphone. Then go to the VM40 homepage and click the settings icon in the upper right corner---Universal---Firmware Upgrade

Technical Specifications

| | |
|-----------------------|---|
| Wireless Type | 2.4GHz |
| Transmitting Power | +10dBm |
| Receiving Sensitivity | -96dBm |
| Antenna | Ceramic Antenna |
| Sound Delay | <20ms |
| Polar Pattern | Super Cardioid |
| Frequency Response | 20Hz ~ 20kHz |
| Low-cut | -3dB @ 100Hz |
| High-frequency Boost | +3dB @ 10kHz |
| Output Impedance | 600Ω |
| Sensitivity | -38dB ~ -18dB re 1V/Pa(12mv ~ 125mv @ 94dB SPL) ±2dB @ 1kHz |
| S/N | 75dB SPL(A-weighted,as per IEC651) |
| Equivalent Noise | 19dB SPL(A-weighted,as per IEC651) |
| Maximum SPL | 130dB SPL(@ 1% THD) |
| Dynamic Range | 111dB SPL(A-weighted,as per IEC651) |
| Analog Output | 3.5mm TRRS/TRS |
| Digital Output | USB-C 48kHz/24bit |
| Battery | Transmitter:Li-polymer 3.7V 350mAh Receiver:Li-polymer 3.7V 330mAh |
| Battery Life | Transmitter: Wired Mode 32 Hours; Wireless Mode 10 Hours; On-board Recording Mode 5 Hours Receiver: 8 Hours |
| Dimensions | Transmitter: Φ22mm x L224mm Receiver: 54 x 48 x 22mm |
| Net Weight | Transmitter: 94g Receiver: 29.5g |
| Operating Temperature | 0°C ~ 50°C |
| Storage Temperature | -20°C ~ 60°C |



Website: comica-audio.com

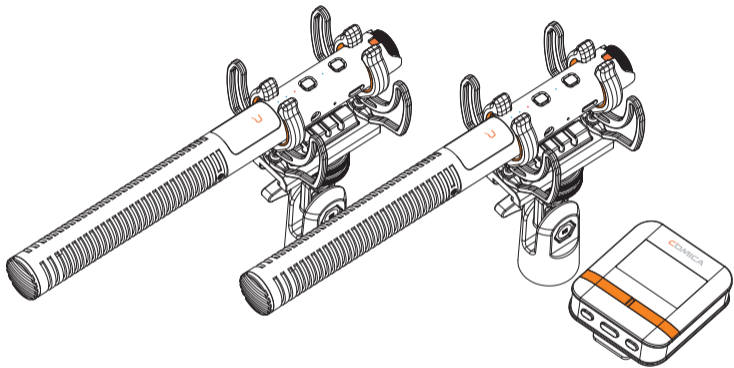
Facebook: Comica Audio Tech Global

Instagram: Comica Audio

YouTube: Comica Audio

COMICA is a registered trademark owned by Commlite Tech Co.,Ltd

Email: support@comica-audio.com



VM40

超心型双通道无线枪式麦克风

用户使用手册

前言

感谢您购买科凌COMICA VM40超心型双通道无线枪式麦克风

主要功能

- 超心型双通道无线枪麦，14mm镀金咪头
- 48kHz/32-bit浮点录音，有线无线双模式
- 32G内存板载录音，高达40小时内存储
- 搭配科凌官方APP使用，一站式便捷操控
- 一键降噪/低切/高频提升，支持安全音轨及实时监听
- 数字/模拟双输出模式，广泛兼容相机/手机/电脑
- 支持自动识别开关机，3.5mmTRS/TRRS智能感测输出
- OLED显示屏，可视化增益及M/S模式
- 长续航，有线/无线模式分别高达32小时/10小时
- 无线传输距离高达200米，稳定低延迟（空旷环境）
- 全新升级减震支架及防风设备，稳固耐用

注意事项

- ⚠ 当长时间使用时，可连接移动电源进行边充边用；不建议使用AC/DC电源供电，否则易产生噪音
- ⚠ 无线模式下，为获得更好的录音效果，建议优先调节发射器增益，发射器增益调至最大后再根据个人需求调节接收器增益
- ⚠ 本产品属于高精密仪器类产品，请避免使用时掉落、碰撞或重击
- ⚠ 请勿将本设备放置在热源或干扰源附近使用，如散热器、烤箱
- ⚠ 如拾音距离较近或于户外使用时，请套上麦克风防风毛，防止声音爆裂或降低风噪
- ⚠ 不要在雨中或潮湿的环境中使用该设备，否则会有短路的危险



尽量保持面对面，避免背对的情况，否则容易产生断点



使用时避免遮挡发射器和接收器的天线位置，否则会影响无线距离

■ 包装清单

一拖一版本:

主体:



麦克风(发射器)*1



接收器*1

配件:



充电&输出
二合一*1



3.5mm TRS-TRS
音频线*1



3.5mm TRRS-TRRS
音频线*1



减震支架*1



挑杆接头*1



5/8英寸转3/8
英寸转接螺丝*1



3/8英寸转1/4
英寸转接螺丝*1



防风棉*1



防风毛*1



卡针*1



收纳包*1



说明书*1



保修卡*1

一拖二版本:

主体:



麦克风(发射器)*2



接收器*1

配件:



充电&输出
二合一*1



3.5mm TRS-TRS
音频线*1



3.5mm TRRS-TRRS
音频线*1



一分三
充电线*1



减震支架*2



挑杆接头*2



5/8英寸转3/8
英寸转接螺丝*2



3/8英寸转1/4
英寸转接螺丝*2



防风棉*2



防风毛*2



卡针*1



收纳包*1



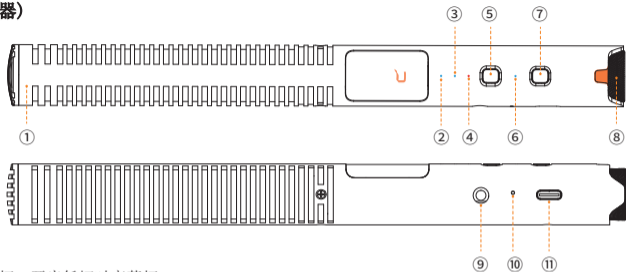
说明书*1




保修卡*1

■ 部件介绍及说明

麦克风(发射器)



1. 拾音头
2. 低切指示灯：开启低切时亮蓝灯
3. 高频提升指示灯：开启高频提升时亮蓝灯
4. 内录指示灯：开启内录时亮红灯
5. 功能按键：短按开启/关闭低切/高频提升；长按开启/关闭内录
6. 工作指示灯：有线模式下长亮绿灯；无线模式下未配对时闪烁蓝灯，配对后长亮蓝灯
7. 模式按键：连接音频线输出时，长按开启/关闭无线模式；未连接音频线输出时，长按开机进入无线模式/关机；单击开启/关闭安全音轨模式

 关机状态下，同时长按功能按键与模式按键，麦克风进入拷贝模式，通过充电&输出二合一连接电脑即可拷贝内录音频

8. 增益调节旋钮：旋转调节增益
9. 3.5mm输出接口：自动识别TRS/TRRS插头输出模拟音频，连接/断开设备时自动开/关机
10. 配对孔：无线连接出现异常时，使用卡针插入短按即可重新配对
11. USB-C接口：连接USB设备自动开机并输出数字音频；连接电源进行充电；连接设备拷贝内录音频

屏显说明

 无线未开启

 配对中...

 已配对

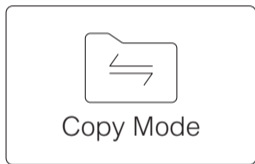
Nor 正常模式

Sft 安全音轨模式



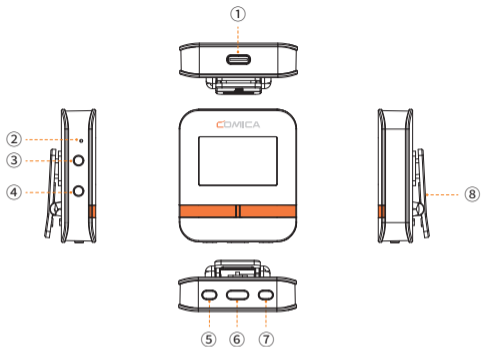
音频动态条

(录音模式)



(拷贝模式)

接收器



1. USB-C输出/充电接口：连接USB设备输出数字音频；连接电源进行充电
2. 配对孔：无线连接出现异常时，使用卡针插入短按即可重新配对
3. 3.5mm输出接口：自动识别TRS/TRRS插头输出模拟音频
4. 3.5mm监听接口：插入3.5mm TRS/TRRS耳机进行监听
5. CH1增益/降噪按键：一拖一时短按降低麦克风增益；一拖二时短按循环增加和降低通道1增益；长按同时循环调节通道1和通道2的降噪（开启1档降噪——开启2档降噪——关闭降噪）
6. 电源/模式按键：长按开机/关机；短按切换单声道/立体声/安全音轨模式
7. CH2增益/内录按键：一拖一时短按增加麦克风增益；一拖二时短按循环增加和降低通道2增益；长按同时开启/关闭通道1和通道2的内录
8. 背夹



屏显说明



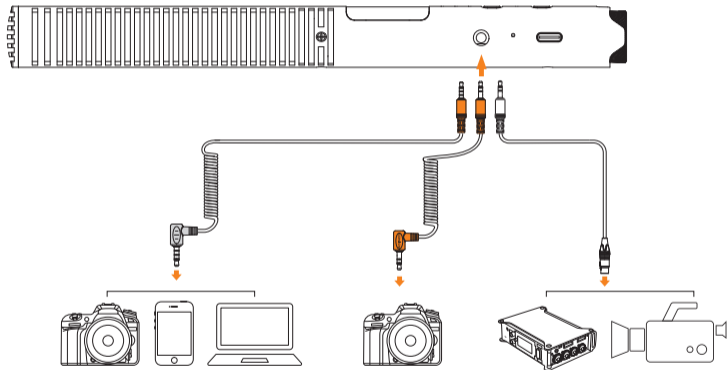
1. 接收器通过USB接口输出音频时，默认通过手机扬声器监听，可通过App切换手机扬声器监听/接收器耳机监听，具体参照说明书底部App操作指南
2. 一拖一时显示一个通道音频动态条，一拖二时显示两个通道音频动态条
3. 静音功能可通过App开启/关闭

■ 安装与使用方法

有线模式

3.5mm模拟输出

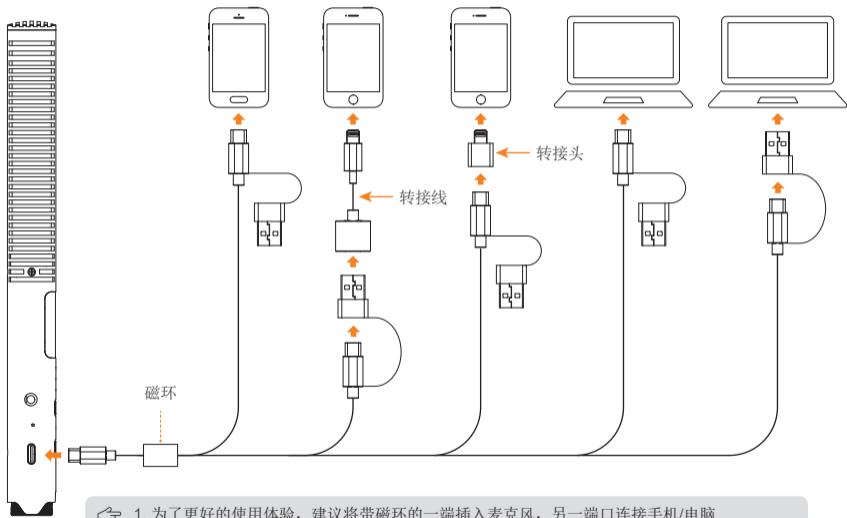
通过3.5mm音频连接线连接麦克风和相机/手机/电脑，或通过3.5mmTRS-XLR音频连接线连接摄影机/录音机



1. TRRS-TRRS音频线通用于相机/手机/电脑，TRS-TRS音频线适用于部分无法兼容TRRS-TRRS音频线的相机，TRS-XLR音频线(请自行购买)适用于录音机和摄影机
2. 使用非降压TRS-XLR音频线时请勿开启录音机/摄影机48V幻象供电，枪麦须手动开关机；使用降压TRS-XLR音频线时可开启48V幻象供电，枪麦可自动开关机

USB数字输出

通过充电&输出二合一线和相关OTG音频转接线/转接头(如需)连接麦克风和手机/电脑

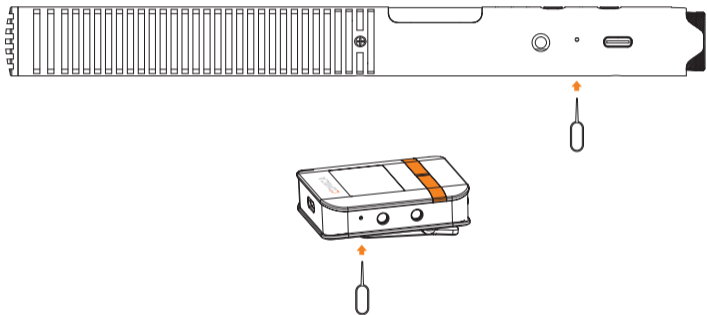


1. 为了更好的使用体验，建议将带磁环的一端插入麦克风，另一端口连接手机/电脑
2. 搭配Lightning接口设备使用时，请自行购买支持OTG功能的USB-Lightning转接线/转接头

无线模式

配对(出厂时发射器与接收器默认配对)

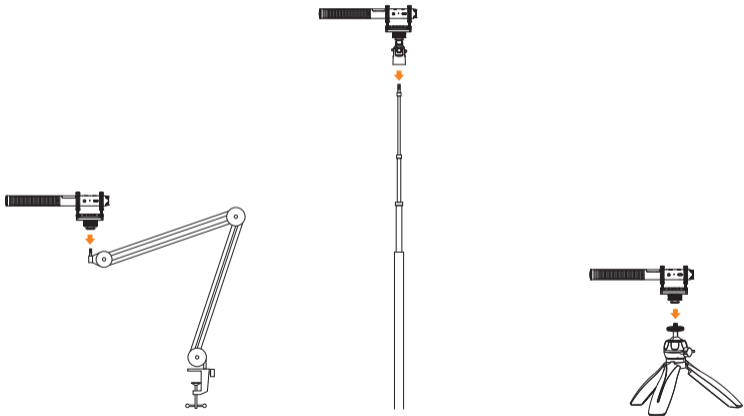
若无线连接出现异常时，使用卡针分别插入短按发射器和接收器的配对孔即可重新配对



使用

麦克风(发射器)

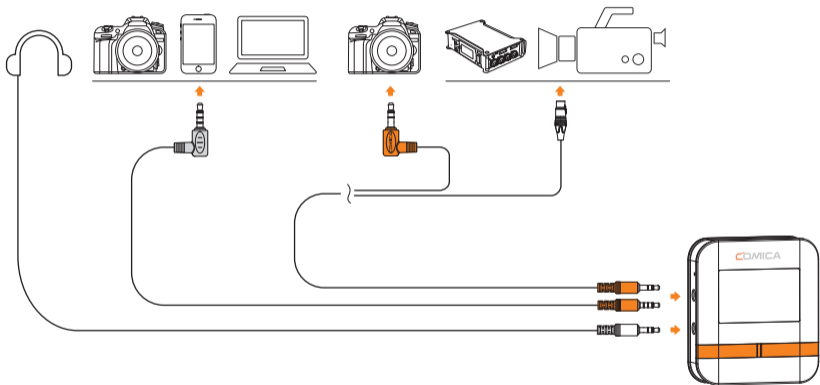
可搭配悬臂支架，挑杆，三脚架等使用



接收器

3.5mm 模拟输出

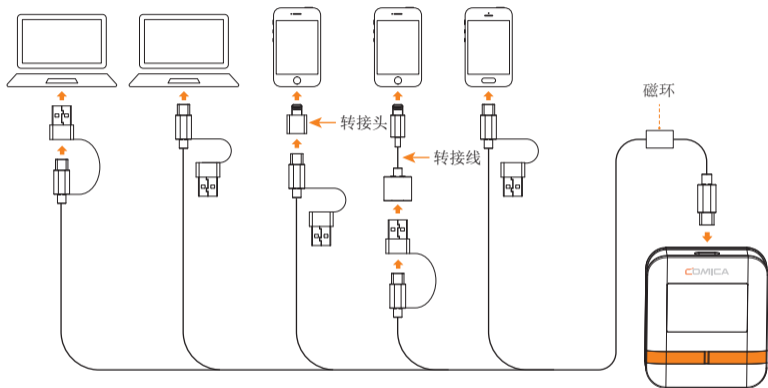
通过3.5mm音频连接线连接接收器和相机/手机/电脑，或通过3.5mmTRS-XLR音频连接线连接摄影机/录音机；可根据个人需求选择是否进行监听



👉 TRRS-TRRS音频线通用于相机/手机/电脑，TRS-TRS音频线适用于部分无法兼容TRRS-TRRS音频线的相机，TRS-XLR音频线(请自行购买)适用于录音机和摄影机

USB数字输出

通过充电&输出二合一线和相关OTG音频转接线/转接头(如需)连接接收器和手机/电脑



1. 为了更好的使用体验, 建议带磁环的一端插入麦克风, 另一端口连接手机/电脑
2. 搭配Lightning接口设备使用时, 请自行购买支持OTG功能的USB-Lightning转接线/转接头

APP操作

1. 在手机应用商店搜索下载“Comica Audio”APP;



Comica Audio

2. 开启手机蓝牙;
3. 打开APP, 搜索添加设备: VM40;



4. 通过APP可对接收器和发射器进行设置和操作



固件升级

在科凌官网下载VM40固件升级包至电脑：

枪麦升级

在关机状态下进入拷贝模式(同时长按功能按键与模式按键)，再通过USB数据线连接电脑，将固件升级包拷贝至VM40 TX---UPDATA文件夹，断开USB数据线后重启即可自动升级

接收器升级

在关机状态下进入拷贝模式(先按住CH1键或CH2键，再长按电源键)，再通过USB数据线连接电脑，将固件升级包拷贝至VM40 RX---UPDATA文件夹，断开USB数据线后重启即可自动升级

蓝牙连接部分升级

打开Comica Audio APP连接麦克风后，进入设备主页，点击右上角设置图标——通用——固件升级

技术规格

| | |
|--------|---|
| 无线类型 | 2.4GHz |
| 发射功率 | +10dBm |
| 接收灵敏度 | -96dBm |
| 天线类型 | 陶瓷天线 |
| 无线延迟 | <20ms |
| 麦克风指向性 | 超心型 |
| 频率范围 | 20Hz ~ 20kHz |
| 低切 | -3dB @ 100Hz |
| 高频提升 | +3dB @ 10kHz |
| 输出阻抗 | 600Ω |
| 灵敏度范围 | -38dB ~ -18dB re 1V/Pa(12mv ~ 125mv @ 94dB SPL) ±2dB @ 1kHz |
| 信噪比 | 75dB SPL(A-weighted,as per IEC651) |
| 等效噪声 | 19dB SPL(A-weighted,as per IEC651) |
| 最大声压级 | 130dB SPL(@ 1% THD) |
| 动态范围 | 111dB SPL(A-weighted,as per IEC651) |
| 模拟输出 | 3.5mm TRRS/TRS |
| 数字输出 | USB-C 48kHz/24bit |
| 电源供电 | 枪麦部分: 锂聚合物 3.7V 350mAh 接收器部分: 锂聚合物 3.7V 330mAh |
| 续航时间 | 枪麦部分: 有线模式32小时/无线模式10小时/录音5小时 接收器部分:8小时 |
| 尺寸 | 枪麦部分: Φ22mm x L224mm 接收器部分: 54 x 48 x 22mm |
| 净重 | 枪麦部分: 94g 接收器部分: 29.5g |
| 工作温度 | 0℃ ~ 50℃ |
| 存储温度 | -20℃ ~ 60℃ |



扫二维码关注
科唛官方公众号



COMICA科唛



COMICA科唛



COMICA科唛



COMICA科唛

邮箱: support@comica-audio.com

电话: 400-8303-981

网址: comica-audio.com

版权及科唛商标归咪莱科技有限公司所有