



G6Max

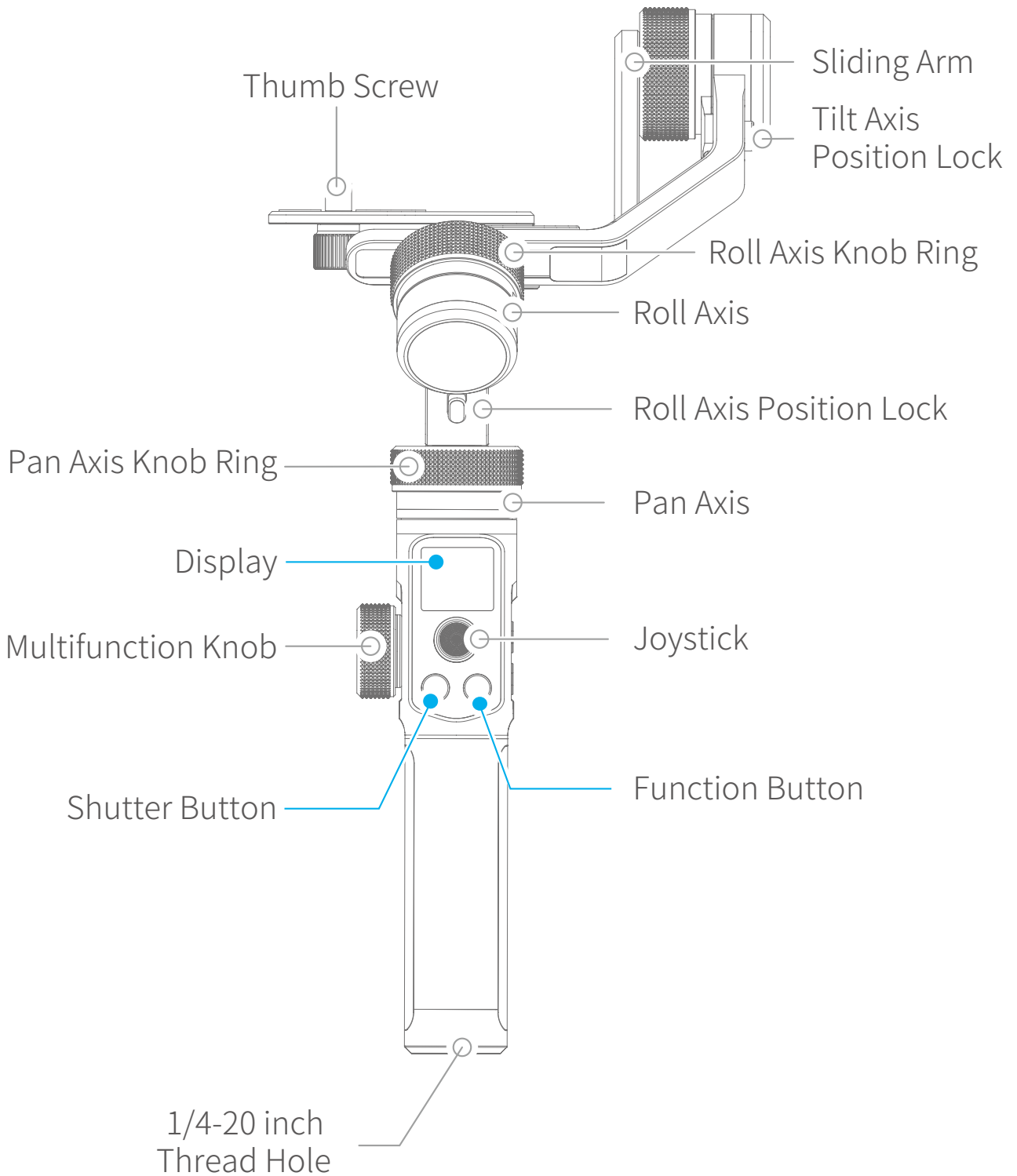
3-Axis Stabilized Handheld Gimbal for Camera

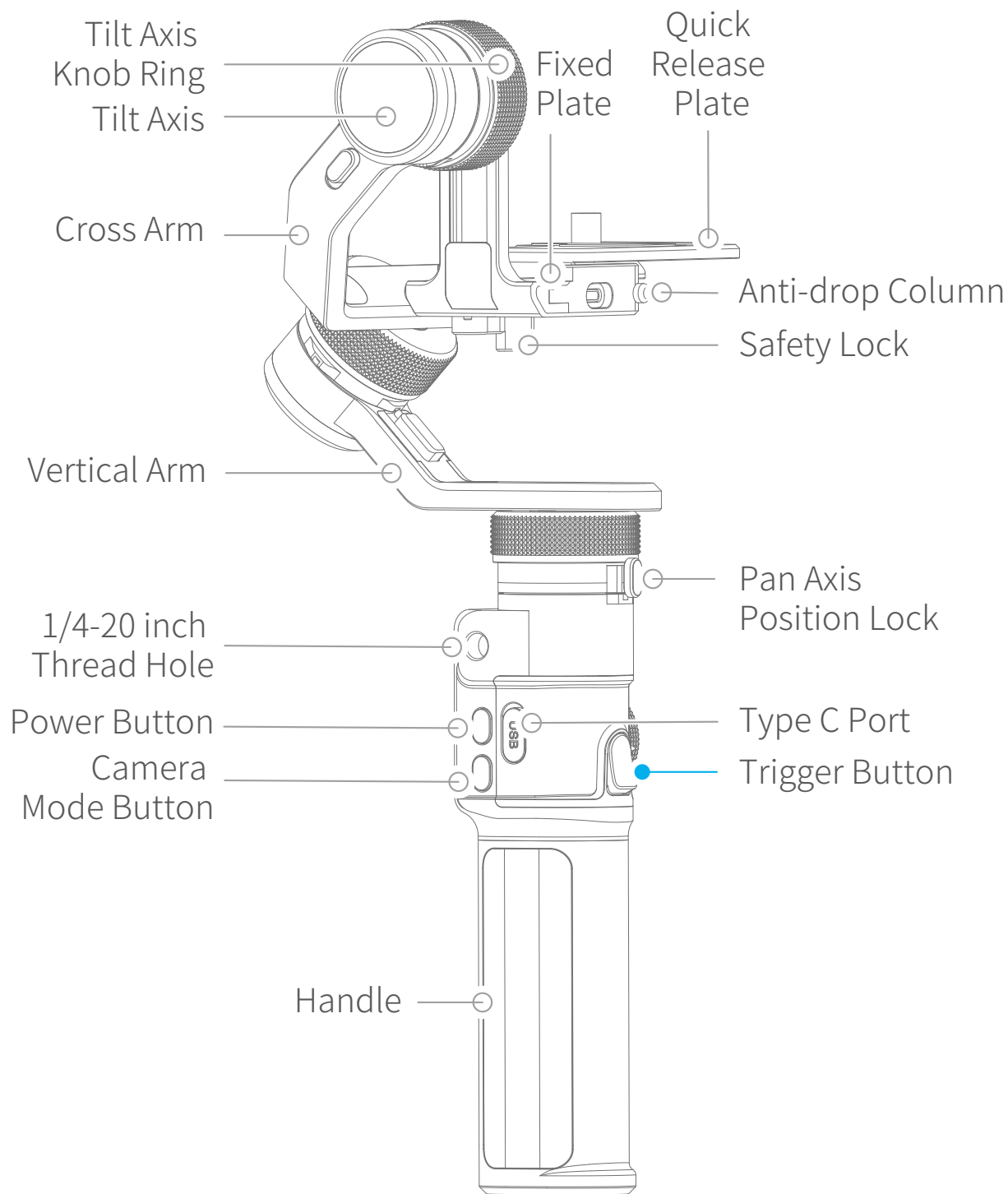
Instructions

EN V1.1

1. Overview	1
2. Start to Use	3
3. Gimbal Balance	5
Balance Adjustment of the Tilt Axis	5
Balance Adjustment of the Roll Axis	6
Balance Adjustment of the Pan Axis	7
4. Function & Operation	8
Working mode	8
Touch Screen	9
Joystick	9
Function Button Operation	10
Shutter Button Operation	10
Power Button Operation	10
Camera Mode Button Operation	10
Trigger Button Operation	11
Multifunction Knob Operation - Control the current axial rotation / follow focus and zoom	11
Download and connect App	12
5. Advanced Operation	12
Manual Lock	12
Timelapse mode	13
Inception mode	14
Portrait mode	14
Motor setup	14
Firmware Upgrade	15
How to connect Camera	15
Gimbal Initialization	19
Accessories Introduction	19
6. Specifications	20
Compatible Cameras for Reference	21

1. Catalogue





Accessories



USB 2.0 to TypeC
X1



Panasonic
Shutter Cable
X1



Sony Shutter Cable
X1



Tripod
X1



Smartphone holder
X1



Gopro adapter
(1/4 Thumb Screw)
X1



Long Thumb Screw
X1



Type-C to TRS 2.5
(T02) X1



Type-C to Type-C
(C02) X1



Type-C to Micro
(A03) X1

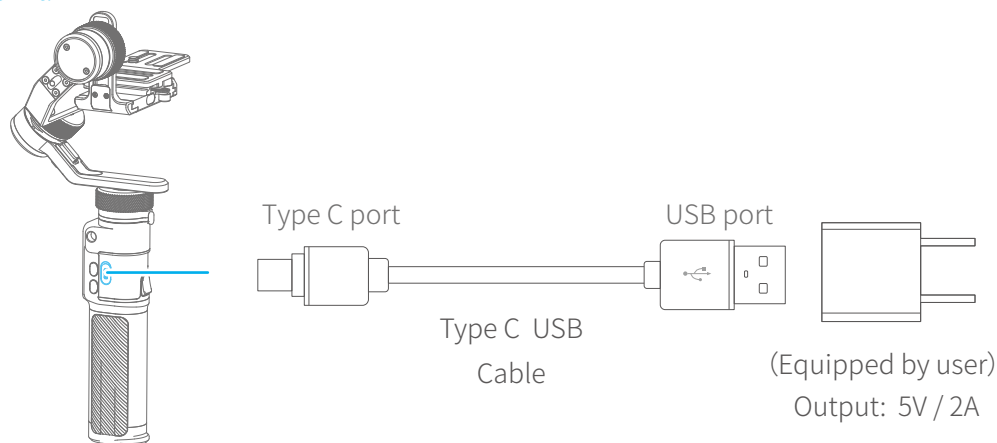
2. Start to Use

1 Charging

TIPS Please fully charge the battery before powering on the gimbal at the first time.

Charging with Type C USB cable, as the figure below shows:

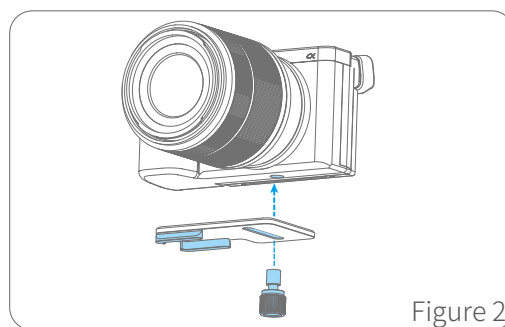
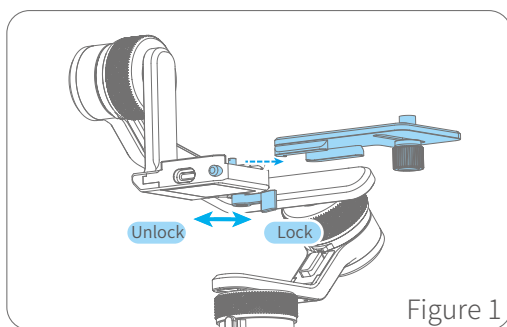
⚠ Note: DO NOT charge the gimbal via the Type C port on the fixed plate. Otherwise, the circuit board may be burnt.



2 Camera/SmartPhone Installation

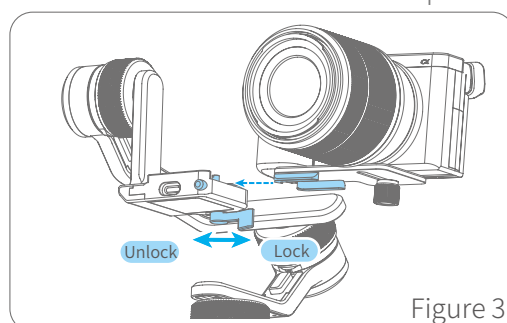
Camera Installation

Unlock the safety lock, press and hold the anti-drop column to take out quick release plate as the figure 1 shows, tighten the thumb screw to fix the quick release plate on the bottom of the camera as the figure 2 shows.



Press and hold the anti-drop column, insert the camera in the fixed plate, and lock the safety lock as the figure 3 shows.

If the camera doesn't have the 1/4-20 inch screw hole, please put the camera on mount adapter, which has 1/4-20 inch screw hole, and then mount it in follow the steps above.



*Pull the safety lock to left to unlock, and pull it to right to lock it when the safety lock is locking as the figure 4.
 Pull the safety lock to left to lock it, and pull it to right to unlock when the safety lock is unlocked as the figure 5.

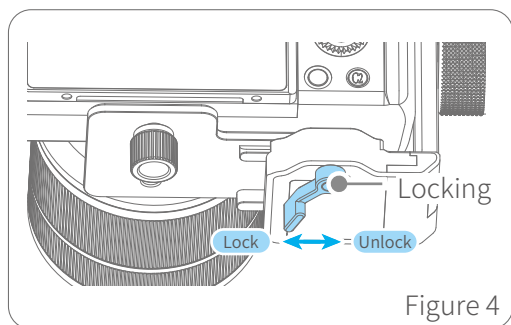


Figure 4

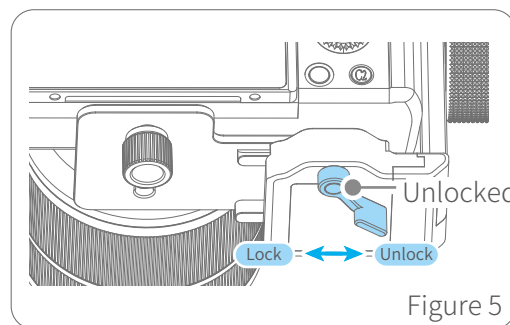
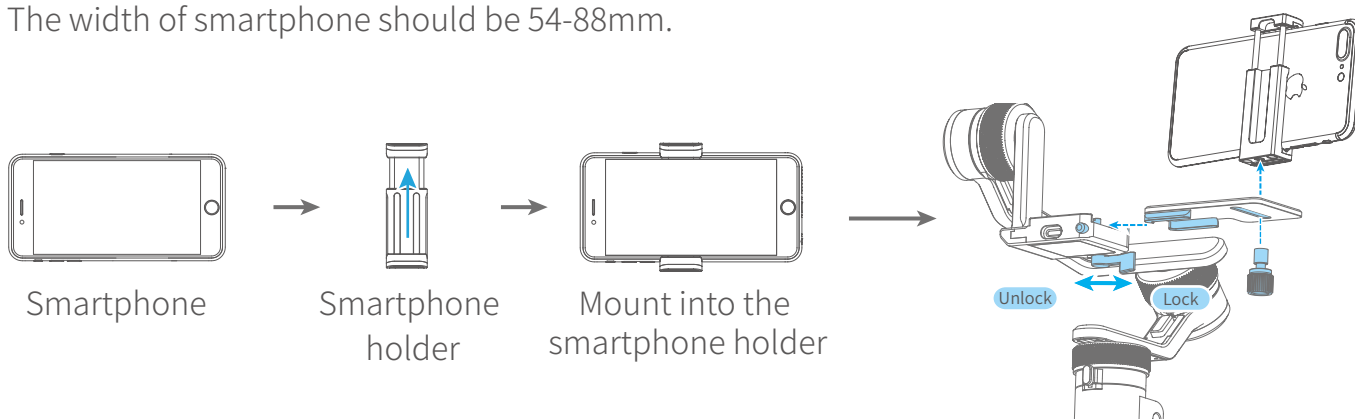


Figure 5

Smartphone Installation

Mount smartphone into the smartphone holder, and tighten the thumb screw to fix the smartphone holder on the quick release plate.
 The width of smartphone should be 54-88mm.



3 Power on/off

TIPS

- (1) Please mount the camera or smartphone before powering on the gimbal.
- (2) When the battery is low, please charge the gimbal.
- (3) When not in use, please power off the gimbal.

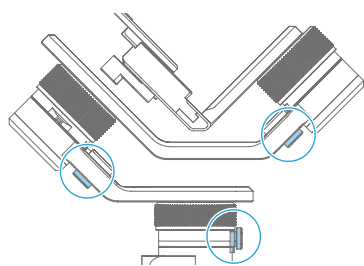
Power on/off:

Long press and release the power button when the display shows **FJ** on screen and hear the tone.

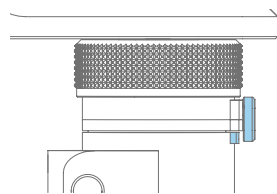
*Gimbal will vibrate slightly for a few seconds after power on it to adapt the camera weight.

4 Position Lock

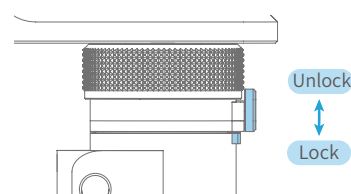
Each of the three rotating axis has one position lock, take the pan axis lock for example.



3 axes position lock



Lock status



Unlock status

3. Gimbal Balance (Before powering on)

TIPS

If the gimbal is not well balanced, it will decrease the performance of stabilization or even cannot balance the camera.

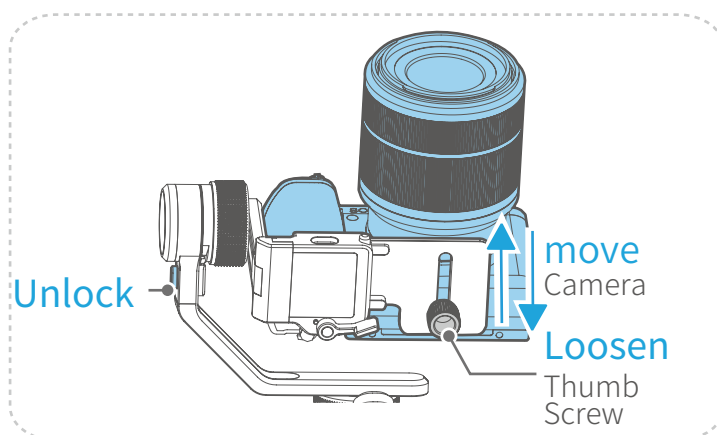
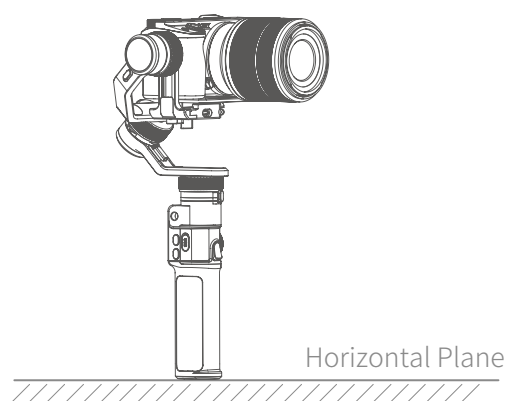
*Before balancing the gimbal, please lock the gimbal at the balanced lock status, and unlock the position lock in stages for convenient balancing.

1 Balance Adjustment of the Tilt Axis

Power on the gimbal after balanced it.

Steps

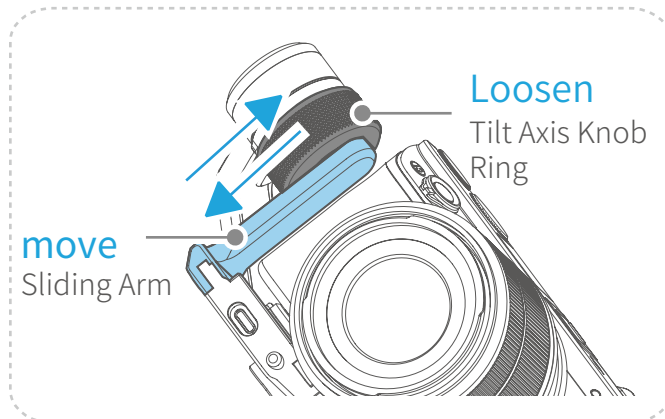
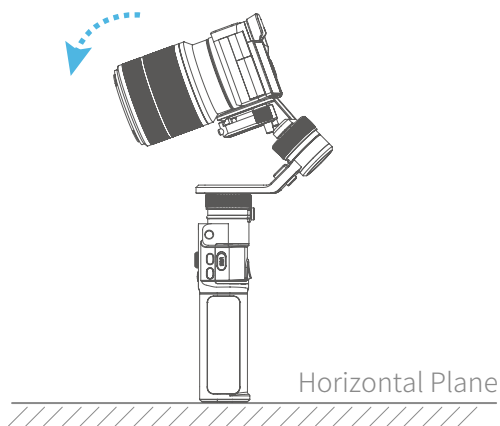
- (1) Let the gimbal stand on a horizontal plane, unlock the tilt axis position lock.
- (2) Loosen the Thumb screw on the camera bottom, slide the sliding arm to balance the camera until the camera is parallel with the horizontal plane, tighten the Thumb Screw.
(Loosen the Thumb screw a little to let the camera can be moved)



(3) Loosen the tilt axis knob ring, rotate the tilt axis to any angle, and slide the sliding arm slightly, until the camera can stay stable. Then tighten the tilt axis knob ring to finish the balance.

(If the camera cannot be parallel with the horizontal plane after balancing, repeat the steps above until it is parallel.)

* Please tighten the tilt axis knob ring after balanced the tilt axis.



2 Balance Adjustment of the Roll Axis

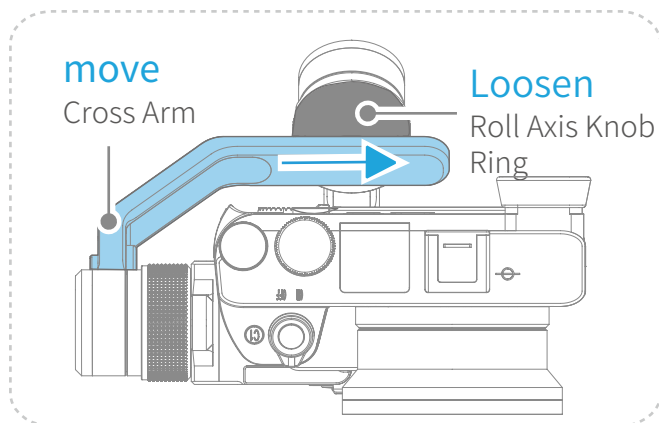
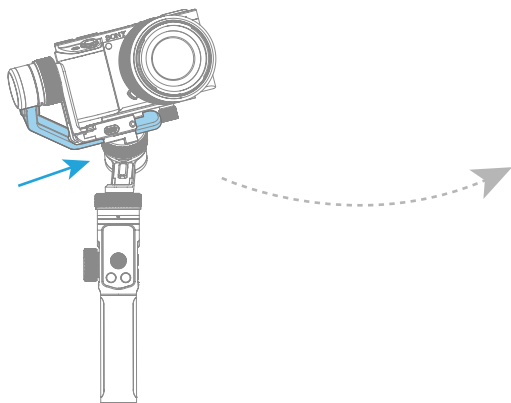
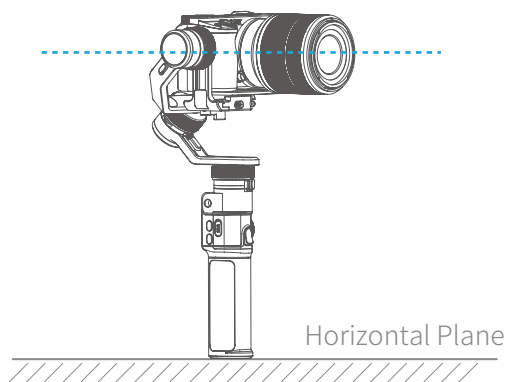
* Please tighten the roll axis knob ring after balanced the roll axis.

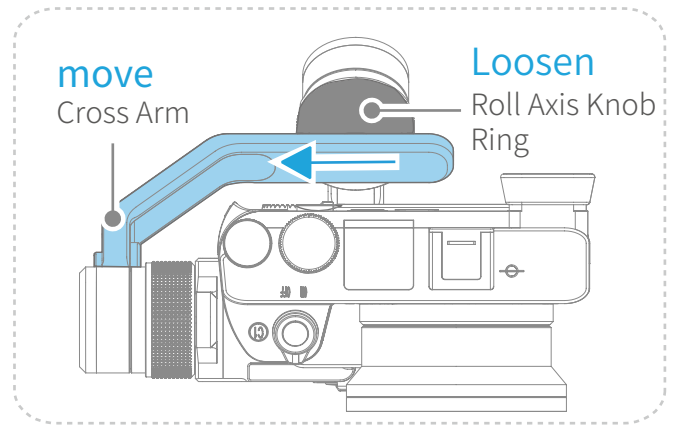
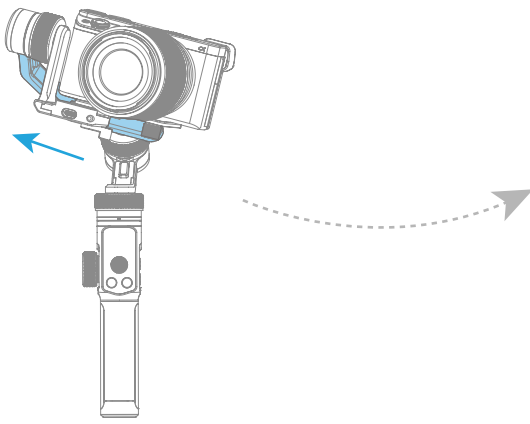
Steps

(1) Unlock the roll axis position lock, put gimbal on a horizontal plane.

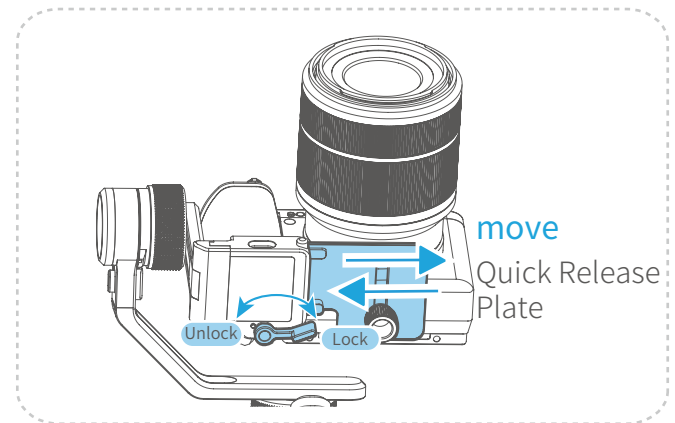
(2) Loosen the roll axis knob ring, slide the cross arm to balance the camera. Then tighten the roll axis knob ring, and tilt the camera to left or right, if the camera can stay stable means balanced.

(Loosen the roll axis knob ring a little to let the cross arm can be moved)





(3) If the camera cannot be parallel with the horizontal plane after balancing, please unlock the safety lock, and slide the quick release plate until the camera is parallel with the horizontal plane, then lock the safety lock.
 * Please lock the safety lock after balanced the roll axis.

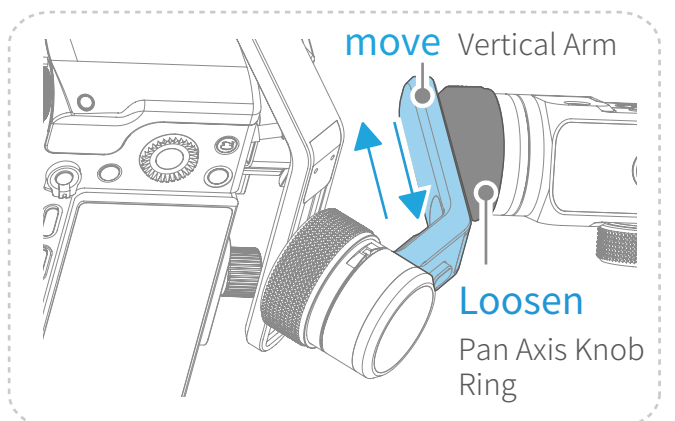
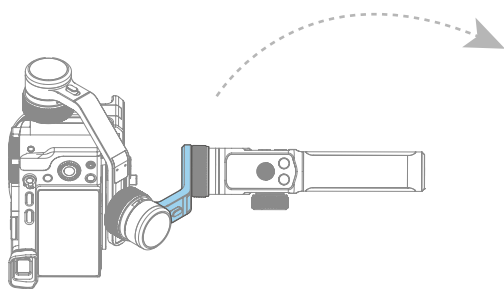
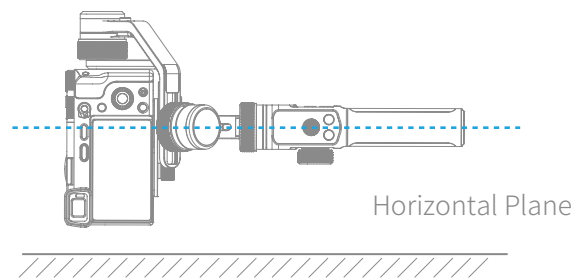


3 Balance Adjustment of the Pan Axis

* Please tighten the pan axis knob ring after balanced the pan axis.

Steps

- (1) Unlock the pan axis position lock, hold the gimbal horizontally, make the handle is parallel with the horizontal plane.
- (2) Loosen the pan axis knob ring, slide the vertical arm to balance the camera. Then tighten the pan axis knob ring, and rotate the pan axis to any angles, if the camera can stay stable means balanced.



4. Function & Operation

Working mode

Pan Mode (Default mode)

The roll and tilt direction are fixed, and the lens moves according to the left-right movements of the user's hand.

Follow Mode

The roll direction is fixed, and the lens moves according to the left-right movements, up-down movements of the user's hand.

All Follow Mode

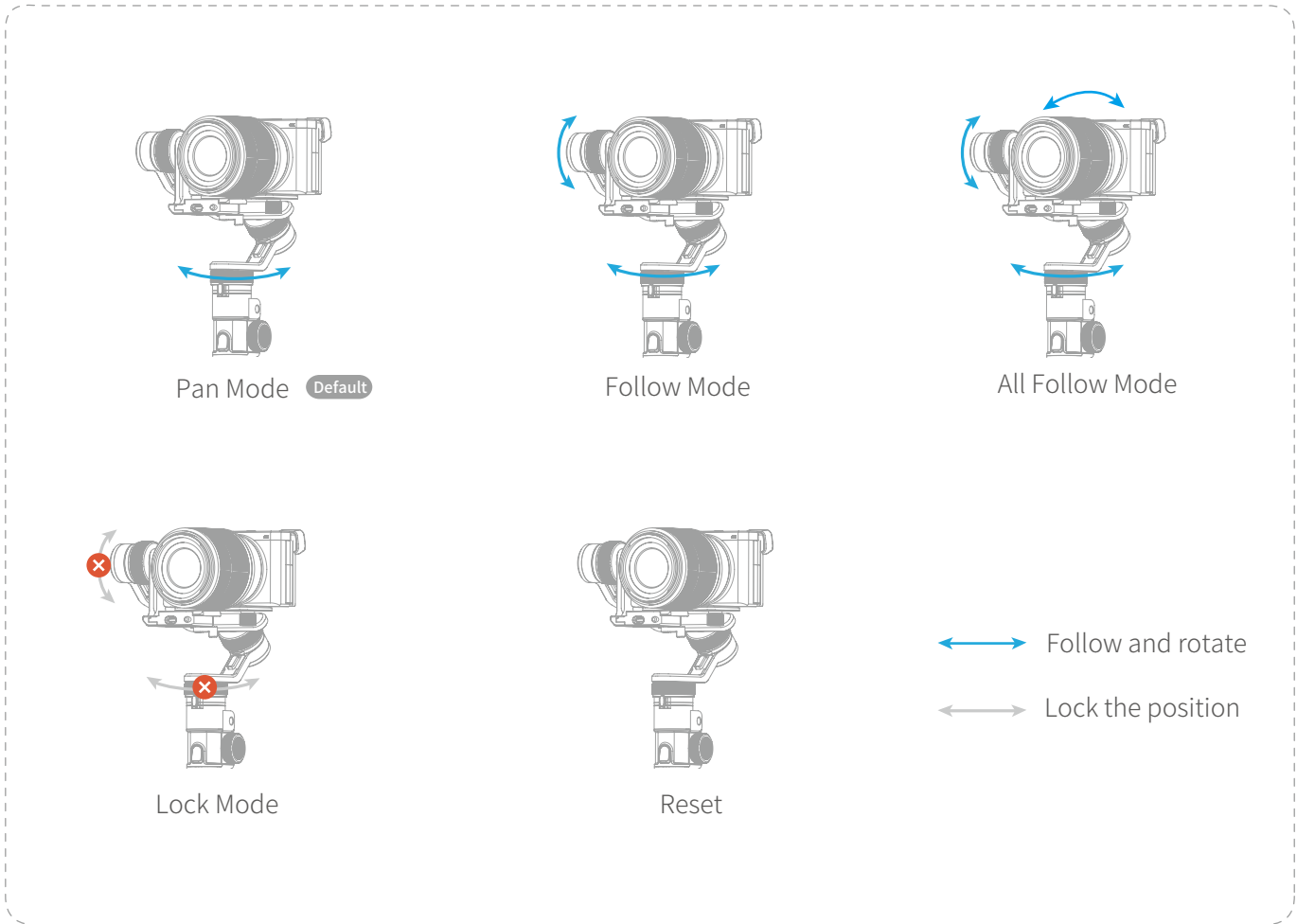
The lens moves according to the user's hand.

Lock Mode

The orientation of the lens is fixed.

Reset

Return to pan mode, three axis return to default position.



Touch Screen

Display icon	Mode / Status	Display icon	Mode / Status
HF	Pan Mode		Photo mode
AF	All Follow Mode		Video mode
TF	Follow Mode		Battery Level
LK	Lock Mode		Tilt axis enabled
	Bluetooth is connected		Pan axis enabled
	Bluetooth is not connected		Roll axis enabled
	WiFi is connected		Zoom
	WiFi is not connected		Follow focus
	Timelapse mode		

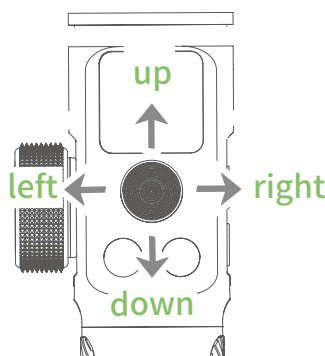
Joystick

Upward

- (1) Camera lens upward
- (2) Select the option above

Move to left

- (1) Camera lens move to left
- (2) Select the option on the left
- (3) Cancel



Move to right

- (1) Camera lens move to right
- (2) Select the option on the right
- (3) Confirm

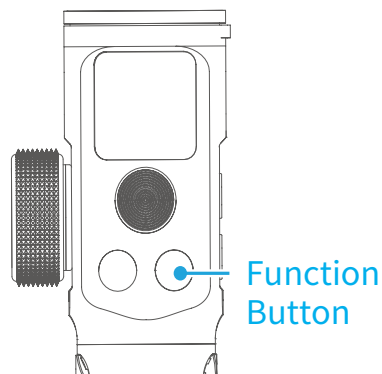
Downward

- (1) Camera lens downward
- (2) Select the option below

Function Button Operation

After connecting to Feiyu ON APP, users can customize the function button operations of lock/pan/follow/all follow mode.

Single tap	Pan/Lock mode	Default	Single tap in pan mode to switch to lock mode. Single tap in lock mode to switch to pan mode.
Double tap	Follow mode	Default	Single tap in follow mode to switch to pan mode.
Triple tap	All Follow Mode	Default	

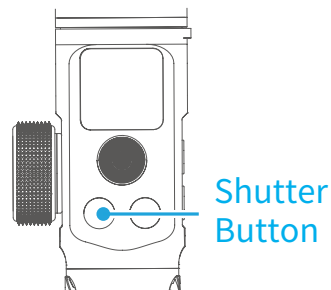


Shutter Button

Users can control camera to shoot through shutter button after connecting gimbal with camera/smartphone via Feiyu ON App or cable.

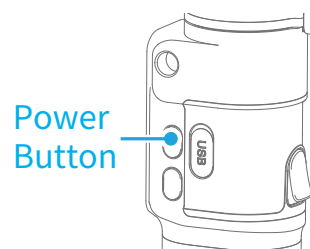
Press half way	Focus	
Single tap	Photo/video	In photo/video mode

TIPS: Due to software and hardware improvements, your actual product might differ from the descriptions and pictures in this user manual. You can get the latest user manual from the official website.



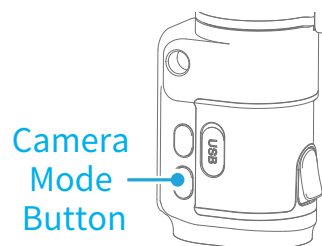
Power Button Operation

Single tap	swipe from page to page	Single tap to cyclic switch among 3 pages
Long press	Power on/off	



Camera Mode Button Operation

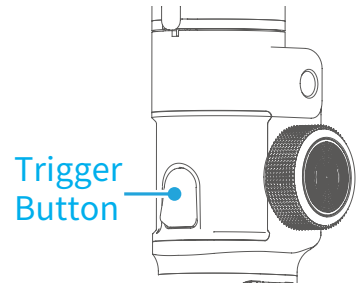
Single tap	Switch camera mode	
Triple tap	Switch front and rear camera	Users can switch front and rear camera while using Feiyu ON to shoot after connecting it.



Trigger Button Operation

Users can customize the trigger button operations of lock/fast follow/follow mode via Feiyu ON APP.

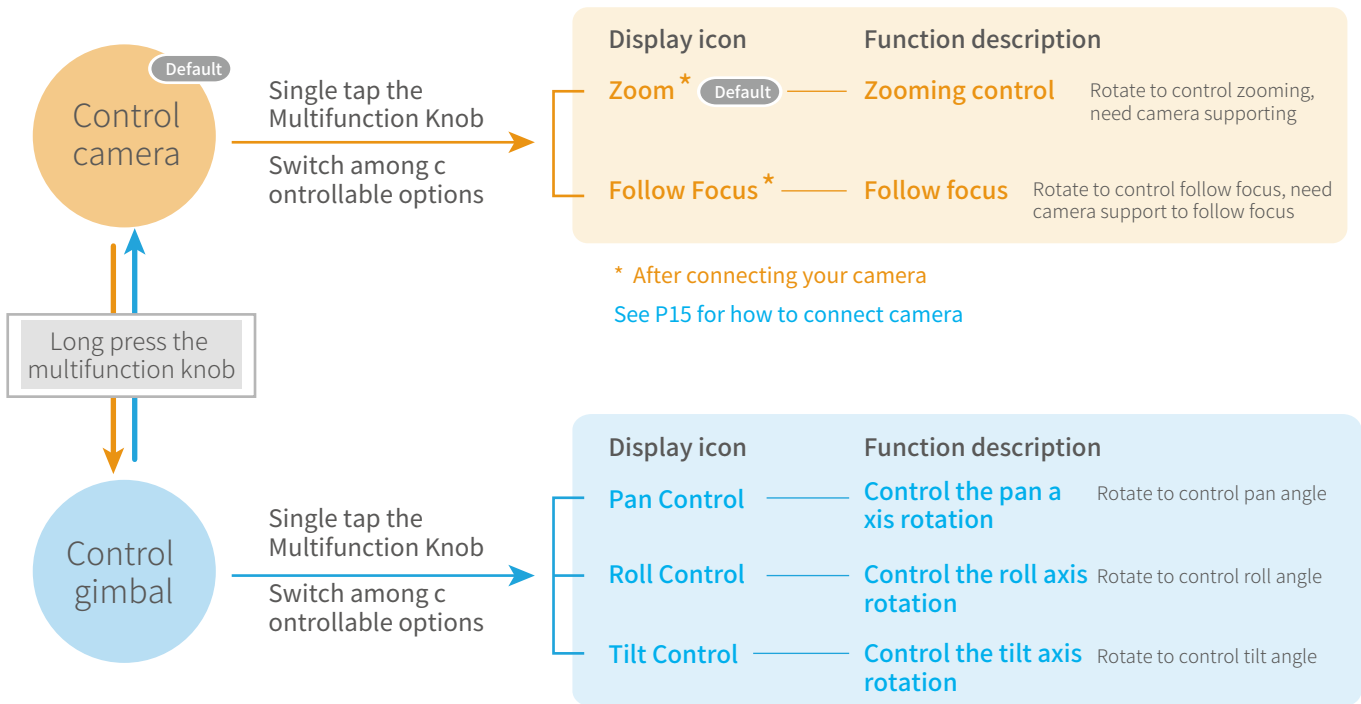
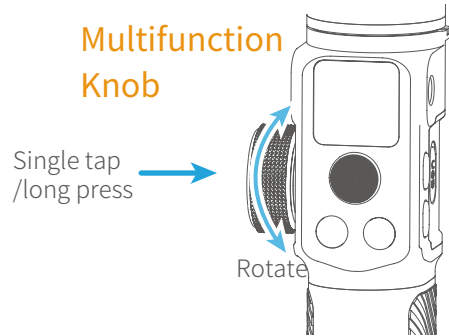
Press and hold	Fast follow Default	Press and hold trigger button in pan/follow mode to enter fast follow mode, release it to return to previous mode.
Double tap	Reset	Return to pan mode, three axis return to default position.
Triple tap	Selfie mode (Pan axis rotate 180° to shoot)	



Multifunction Knob Operation - Control the current axial rotation / follow focus and zoom

Default to control tilt axis just after powering on the gimbal.

Single tap	Switch between follow focus/zoom	In controlling follow focus /zoom state
Single tap	Switch among tilt/roll/pan control	In controlling 3 axis rotation state.
Long press	Switch among follow focus/zoom/current axial rotation	



Download and connect App



Feiyu ON



Please download Feiyu ON at your smartphone app store or scan the QR code below.

* Requires iOS 9.0 or later, Android 6.0 or later.



iOS Version



Android Version

Connect the App

- (1) Turn on the gimbal.
- (2) Turn on bluetooth and open App, and login (register first if not), then follow prompts to connect with G6Max. Once the connection is successful, G6Max can be controlled on the App, including remote direction, switching mode, setting parameters and etc.

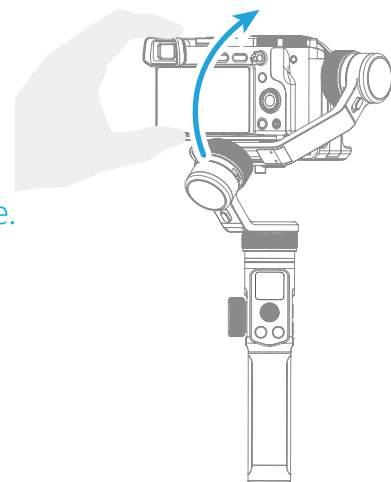
5. Advanced Operation

Manual Lock

Manually move camera to desired position, and hold for half a second to save the new position.

Users can manual lock the tilt axis in pan/follow/lock mode.

Manually move pan axis to desired position, and hold for half a second. New tilt position are automatically saved.



Timelapse mode

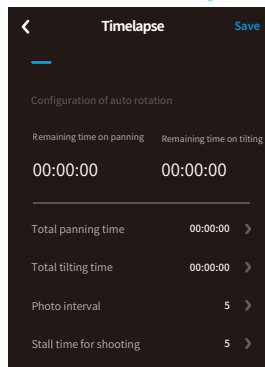
It is convenient to make gimbal move at a constant speed through timelapse mode. It can be used to record normal video or timelapse photography.

Set time parameters on Feiyu ON App

Enter the Feiyu ON App to set the timelapse mode parameters.

Enter the parameter setting interface to select the timelapse mode for setting. The time setting for panning and tilting rotation time must less than 8 hours, and the maximum setting time for shooting interval is 59 seconds , while the maximum waiting time for shooting is 58 seconds.

⚠ Note: The photographing interval setting must be longer than the photographing stop time and less than the panning rotation time or the tilting rotation time.

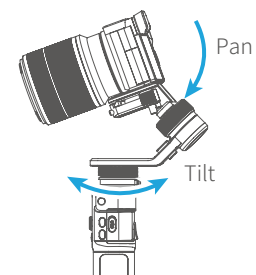


(1) Choose the timelapse mode on the screen to enter it.



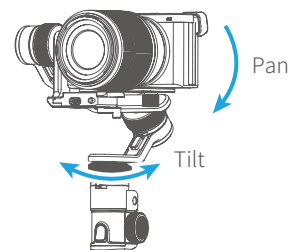
(2) Set rotation start position

Rotate the pan or tilt axis to a start position, hold on for 0.5 seconds, and move the joystick to right to confirm.



(3) Set rotation end position

Rotate the pan or tilt axis to an end position, hold on for 0.5 seconds, and move the joystick to right to confirm.



(4) Start auto rotation movements

Gimbal returns the start position after setting, and then tilt and pan axis will start to rotate uniformly according to the parameter that has been set. Repeat the step (2)(3) to start again.

(5) Exit

Double tap the function button to exit the timelapse mode Exit and reset

Inception mode

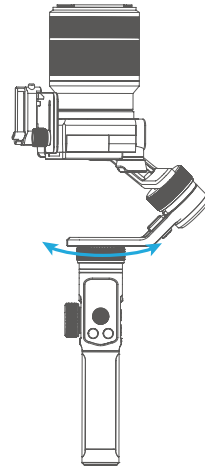
Select "Inception" on screen, the camera lens will rotate to upward. Holding the gimbal horizontally, and set rotation direction/speed, rotates one circle or continuous rotating. The camera will automatically rotate 360 degree to take inception footage with pre-set speed and direction after setup.

Inception
Portrait
Timelapse



Turn Right
Turn Left
Continue R

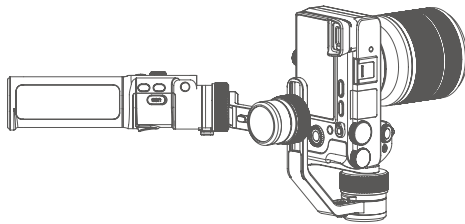
Continue L
Set Speed



Portrait mode

Hold the gimbal horizontally, select "Portrait" on screen to enter portrait shooting.

Inception
Portrait
Timelapse



Motor setup

Select "Motor Setup" to set the motor power, move the joystick left or right to set the motor power, downward the joystick to switch among tilt/pan/roll motor setting or adaption.

Motor Setup
Knob Setup
Cam Setup



Tilt motor
[Progress bar]
...


Pan motor
[Progress bar]
...

Roll motor
[Progress bar]
...

Adaption

Firmware Upgrade

Upgrade the firmware through the Feiyu ON App.

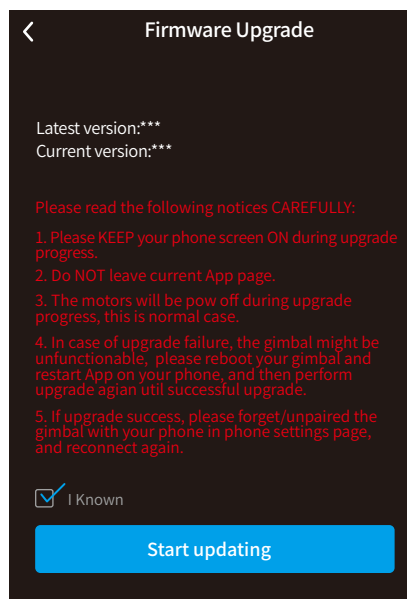
- (1) Click the icon 
- (2) Select upgrade type.
- (3) Follow the prompts to upgrade the firmware.

Upgrade type introductions:

Gimbal update: Repair / update or newly add gimbal control / function / parameter and etc.

Keyboard update: Repair / update or newly add button/touch screen/interaction functions, update more compatibility cameras which can be controlled through WIFI, repair few bugs about camera control through WIFI, and etc.

Bluetooth firmware update: Repair / update or newly add Bluetooth functions, update more compatibility cameras, and etc.

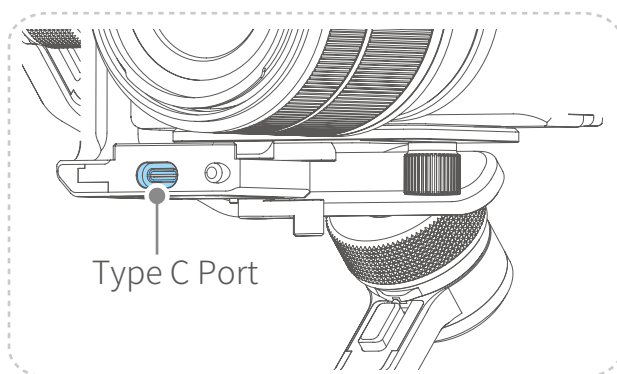


How to connect Camera


Steps:

Method 1

Connecting the Type C on the gimbal with the camera USB port through shutter cable.




Method 2

- (1) Turn on your camera's WiFi (choose 2.4GHz for gopro)
- (2) Select the camera connection icon in Feiyu ON's virtual joystick interface 
- (3) Choose your camera brand and model.
- (4) Choose your camera's WiFi name, and enter the password.
- (5) Wait to connect.
- (6) Connection succeed.

If you fail to connect camera, you can try to reboot the gimbal or camera, or follow the steps above to connect again.

If you cannot connect camera's WiFi for a long time, please try to turn on Wi-Fi again.

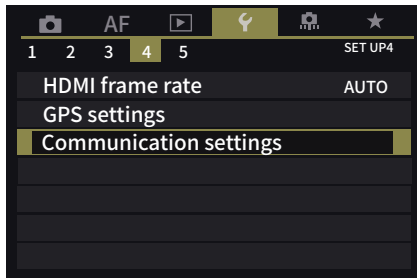
Connect Camera with Wi-Fi

- (1) Power on the gimbal.
- (2) Turn on Bluetooth and Feiyu ON App, APP automatically connects to gimbal with the strongest signal of Bluetooth. The Bluetooth icon  on display will be lighted after successfully connected.
- (3) How to Obtain camera's Wi-Fi name and password.

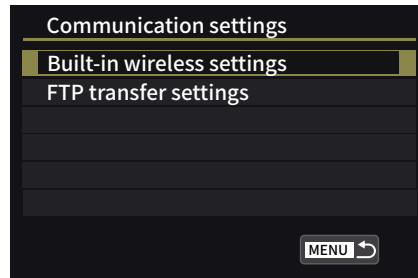
Steps for different brand cameras:

Canon

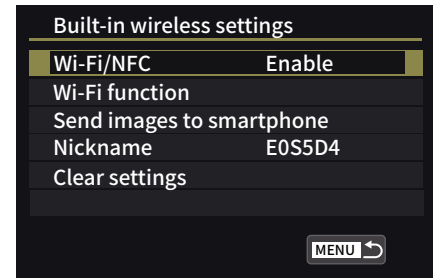
Tap "MENU" button, finding "communication setting", find "Built-in wireless setting" - "Wi-Fi function" - "connect to smartphone" - "review/change setting" - "change set" - "easy connection", click "OK" get Wi-Fi name and password.



①



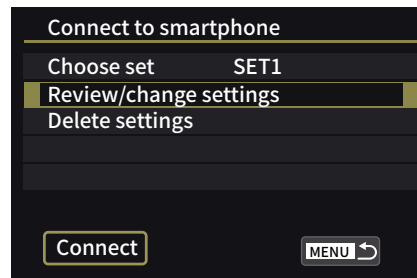
②



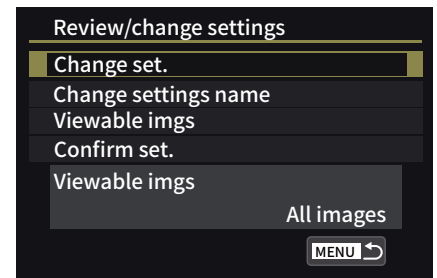
③



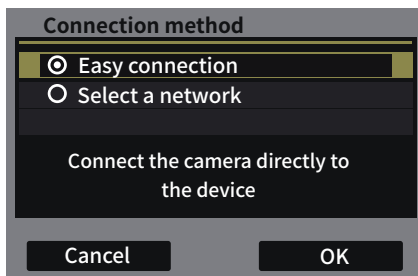
④



⑤



⑥



⑦

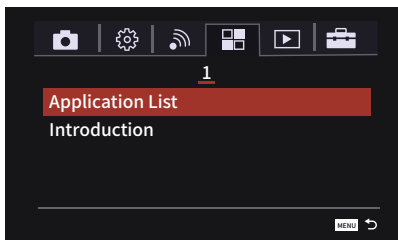


⑧

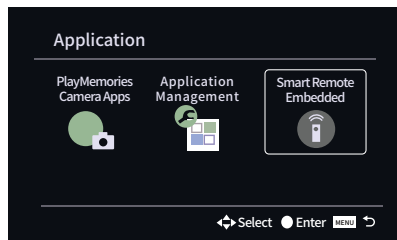
SONY

● Camera :SONY a6300, A7S II, A7 etc.

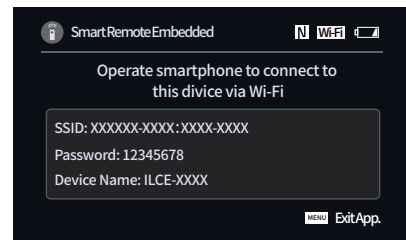
Gain Wi-Fi name and password at "smart remote embedded" in the Application list.



①



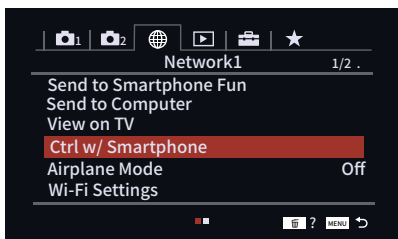
②



③

● Latest Camera :Sony a6400, A7R III

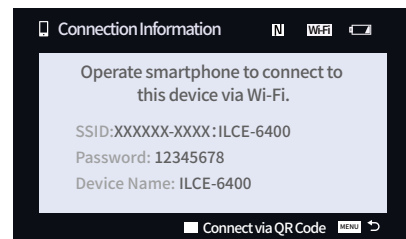
Tap MENU button, find "smart cellphone control" connecting with password.



①



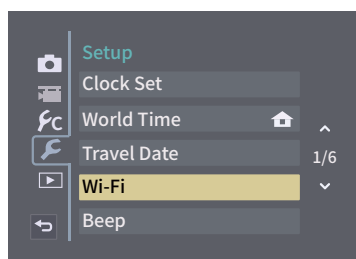
②



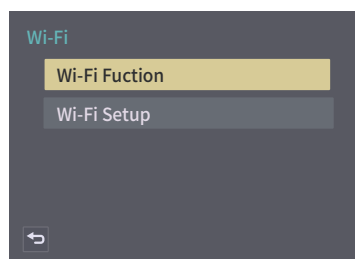
③

Panasonic

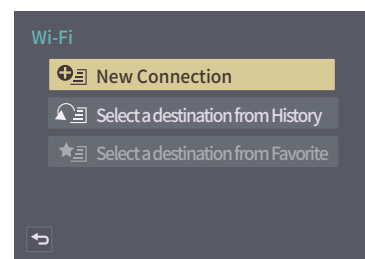
Select "setup" under "Wi-Fi", find "Wi-Fi function" - "New/Connection" - "remote shooting & view" obtain Wi-Fi name and password.



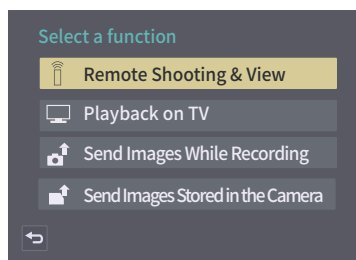
①



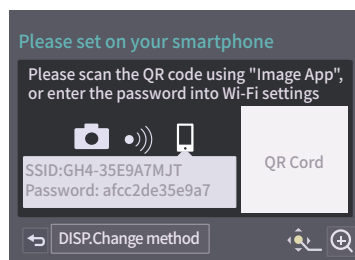
②




③

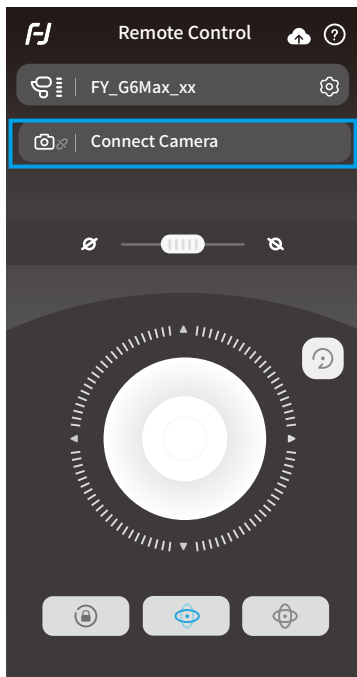



④




⑤

- (4) Switch on Feiyu ON App , select the camera connection icon  in the virtual joystick interface, select corresponding camera brand and camera you used, choose right camera Wi-Fi name and input password.



Waiting for 5~10 seconds, After the connection is successful, the camera interface will display corresponding tips and changes.(Canon camera is needed to tap "confirm"), And automatically return to the main shooting interface, the camera icon  on gimbal's touching screen light up at same time, connection is done. You can exit APP after connected.

Connect camera Wi-Fi again

After the first successful connection to the camera Wi-Fi, gimbal will remember the camera's Wi-Fi and password. To connect the previous camera again, simply open the camera's Wi-Fi connection interface and the gimbal will automatically establish the connection. When the camera icon  of the gimbal on touch screen lights up, the camera can be controlled.

Fail to connect Camera

In the APP interface, selected wrong camera Wi-Fi name, the Wi-Fi password input error (not distinguishing between upper and lower case letters), and the gimbal Wi-Fi is occupied, which may fail to connect and control the camera.

Please confirm the Wi-Fi name and password are entered correctly. If the connection is failed again, it is recommended to disconnect the Wi-Fi connection and reconnect again.

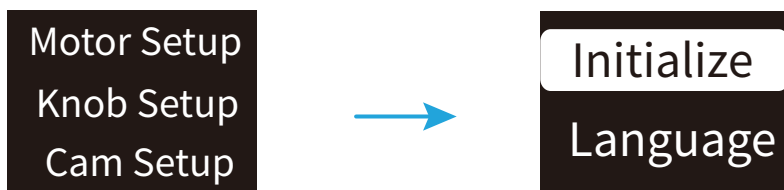
Gimbal Initialization

You can initialize your gimbal when

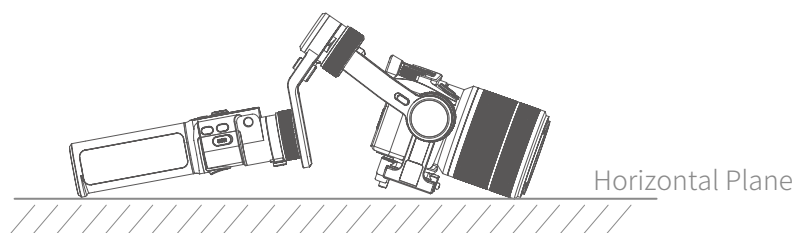
- (1) When camera is not balance.
- (2) If not use for a long period of time.
- (3) In case of extreme temperature variations.

STEPS

(1) Select Calibration on the display by joystick to enter the gimbal initialization.



(2) Place the gimbal on the table, and the gimbal automatically initializes. If the touch screen prompts that the calibration is successful, the initialization ends, otherwise the initialization fails.

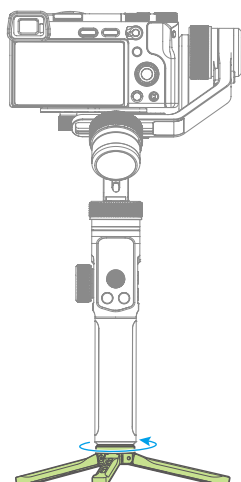


(3) After the initialization is successful, single tap the function button to wake up and return to last page.

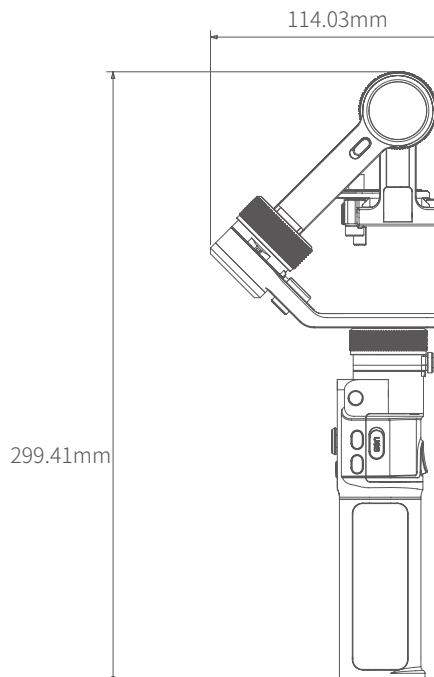
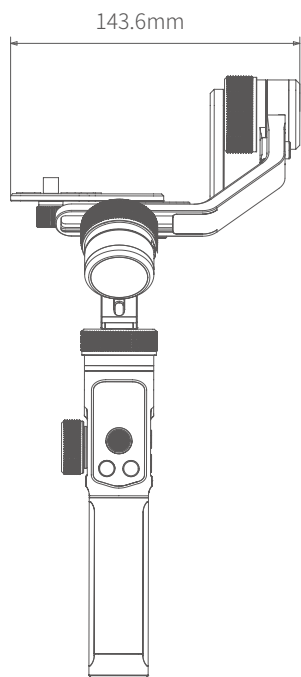
Note: If the initialization is not successful for a long time, please single tap function button to wake up and initialize again.

Accessories Introduction

Tripod



6. Specifications



Specifications

Max. Tilt Range	280°
Max. Roll Range	330°
Max. Pan Range	360°
Theoretical Battery Life	9 Hours
Net weight	665g (not including camera、 lens and other accessories)
Payload Capability	1200g (After balancing)
Compatible Cameras for Reference	Sony RX100 / Sony a6300 (16-50 or 28-70mm) / Sony a6500 (16-50 or 28-70mm) / Canon M50, ect. Sony RX0 / GoPro HERO series sports cameras Fit for smartphone with smartphone adapter(Optional accessory)

Compatible Cameras for Reference

Brand	Model
Canon	Canon EOS M50
	Canon EOS RP
	Canon G7X MarkIII
	Canon 200D

Sony	Sony RX0
	Sony RX100 IV
	Sony RX100 V
	Sony RX100 VI
	Sony a6300+16-50
	Sony a6500+28-70
	Sony a6000
	Sony a5100
	sony AS50
	SONY X3000
	sony QX1
	sony RX1R II
	Sony a6400+24-70
	Sony DSC-HX90
	SonyDSC-WX500
	Sony RX100M5A
	Sony HDR-AS50R
	Sony FDR-X3000R
	Sony SJ cam
	Sony RICCA

Brand	Model
Sony	Sony α7sII/7SM2
	Sony α7RII
	Sony α9

Panasonic	Panasonic DC-GF9KGK
	Panasonic ZS70
	Panasonic ZS220
	Panasonic GX9K+12-32
	Panasonic GF10K+12-32
	Panasonic DMC-ZS110
	Panasonic GH3
	Panasonic GH4
	Panasonic GF9X
	Panasonic LX10
	Panasonic LX100
	Panasonic DMC-GX85

SJcam	SJcam SJ6 LEGEND
-------	------------------

RICCA	RICCA
-------	-------

GoPro	gopro 5/6/7
-------	-------------

YI	YI 4K
----	-------

*Tips: The camera needs to be close to the tilting motor.

Disclaimer

Thanks for using Feiyu Gimbal. The information in this document affects your safety and your legal rights and responsibilities. Read the entire document carefully to ensure proper configuration before use, Failure to read and follow instructions and warnings in this document may result in serious injury to yourself or others, or damage to your products or damage to other objects in the vicinity.

By using this product, you hereby signify that you have read this disclaimer and warning carefully and that you understand and agree to abide by the terms and conditions herein. You agree that you are solely responsible for your own conduct while using this product, and for any consequences thereof. You agree to use this product only for purposes that are proper and in accordance with all applicable laws, rules, and regulations, and all terms, precautions, practices, policies and guideline FeiyuTech has made and may make available. FeiyuTech accepts no liability for damage, injury or any legal responsibility incurred directly or indirectly from the use of product.

FeiyuTech will not provide any service for any product obtained from abnormal channels.

Notice

1. Make sure motor spinning is not blocked by external force when gimbal is power on.
2. DO NOT contact the gimbal with water or other liquid if the gimbal is not mark waterproof or splash-proof. Waterproof and splash-proof product DO NOT contact sea water or other corrosive liquid.
3. DO NOT disassemble the gimbal except marked detachable. It need send to FeiyuTech after-sales or authorized service center to fix it if you accidentally disassemble it and cause abnormal work. The relevant costs are borne by user.
4. Prolonged continuous operation may cause the motor surface temperature to rise, please operate carefully.
5. DO NOT drop or strike the gimbal. If the battery is abnormal, contact Feiyu After-sales support.

Storage and Maintenance

1. Keep the gimbal out of the reach of children and pets.
2. DO NOT leave the gimbal near heat sources such as a furnace or heater. DO NOT leave the gimbal inside of a vehicle on hot days.
3. Please storage the gimbal in dry environment.
4. DO NOT overcharge or overuse the battery, otherwise it will cause damage to the battery core.
5. Never use the gimbal when the temperature is too high or too low.

Official Social Media



Website



Facebook



Youtube



Twitter



Instagram

Facebook: www.facebook.com/feiyutech
YouTube Channel: www.youtube.com/c/Feiyu-tech
Twitter: www.twitter.com/feiyutech
Instagram: www.instagram.com/FeiyuTech
YouTube Channel: www.youtube.com/c/Feiyu-tech
Online Store: store.feiyu-tech.com



Guilin Feiyu Technology Incorporated Company

For more information, please visit our official website www.feiyu-tech.com

E-mail: service@feiyu-tech.com Tel: +86 773 2320865

Due to software and hardware improvements, your actual product might differ from the descriptions and pictures in this user manual. You can get the latest user manual from the official website.