

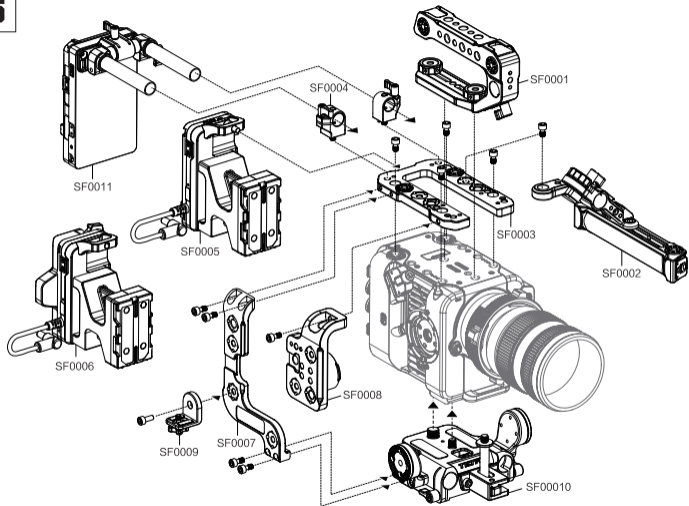
SONY *TILTA*
FX6

索尼 FX 6 摄影机 拓展套件

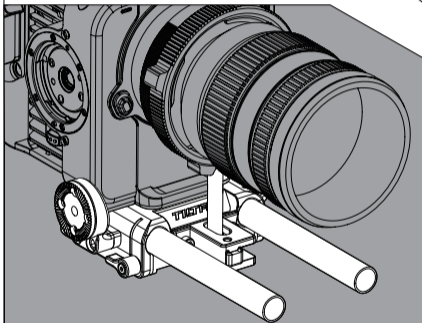
01 FOR SONY FX6

套件分解说明

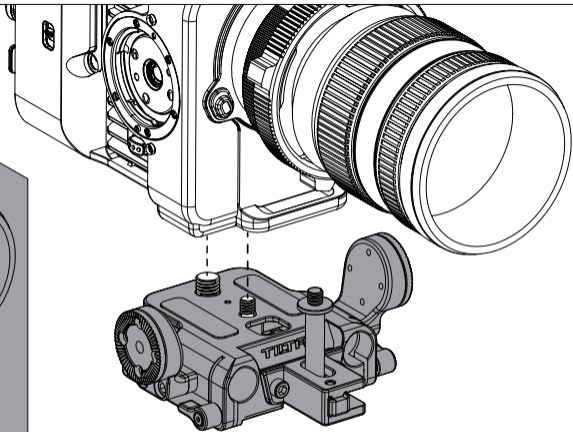
编号	产品名称	产品型号
SF0001	专用上手提	ES-T20-TH
SF0002	竖拍上手提	ES-T20-TH2
SF0003	多功能顶板	ES-T20-MTP
SF0004	15mm管夹	ES-T20-SRH
SF0005	专用供电-V口	ES-T20-BTP-V
SF0006	专用供电-安东口	ES-T20-BTP-AB
SF0007	侧臂	ES-T20-SA
SF0008	竖拍底板	ES-T20-B
SF0009	图传支架	ES-T20-WVM
SF0010	专用底座	ES-T20-QRBP
SF0011	后挂V口供电	ES-T20-BTP2-V



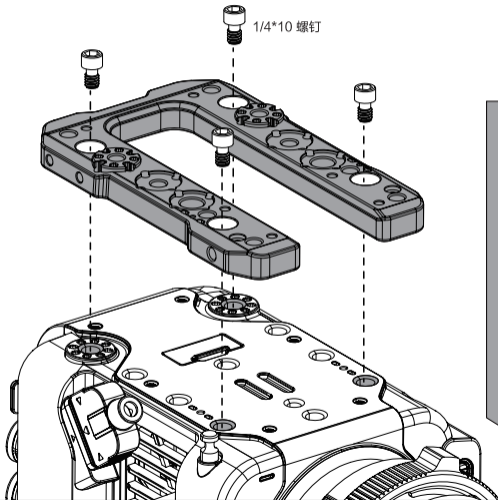
02 安装专用底座



2. 底座预留有导轨适配孔，可装配15mm导轨。
3. 底座正面可装配镜头支撑。



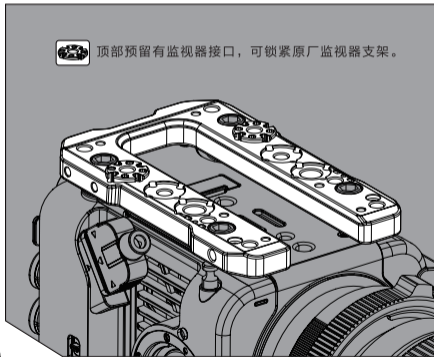
1. 将底座锁紧在摄影机上(可根据拍摄需求来使用镜头支撑)。



▶ 对准螺丝孔，将顶板安装在摄影机上。



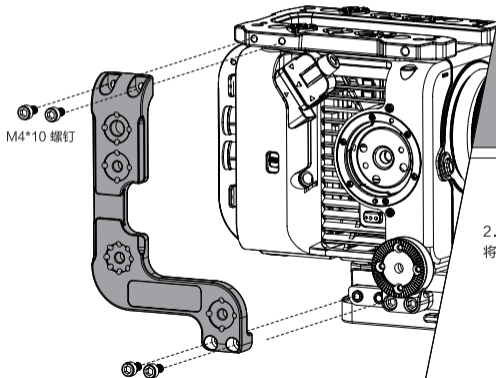
顶部预留有监视器接口，可锁紧原厂监视器支架。



04 安装侧臂和竖拍底板

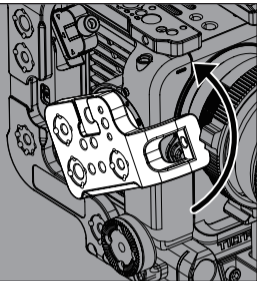
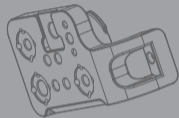
► 安装侧臂。

将其安装在顶板和底座侧面的螺丝孔上。
(侧臂上有标贴位, 可根据需求张贴。)

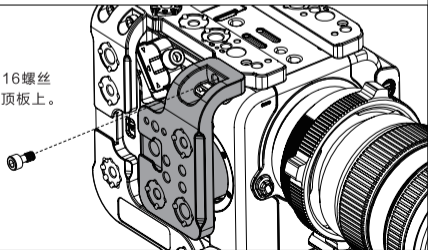


► 安装竖拍底板。

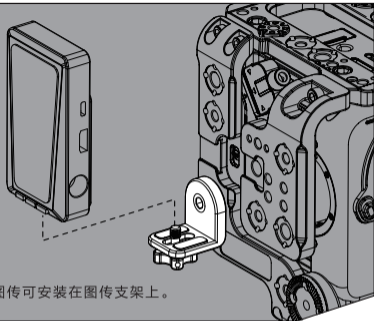
1. 倾斜竖拍底板, 对准
机器侧面的限位上装入,
再旋转稳固在机器上。



2. 通过M5*16螺丝
将其锁紧在顶板上。



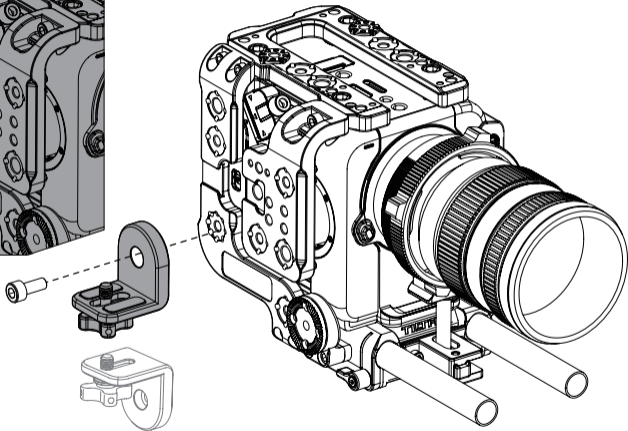
05 安装图传支架



图传可安装在图传支架上。

- ▶ 对准螺丝孔，将图传支架安装在侧臂上的1/4定位孔上。

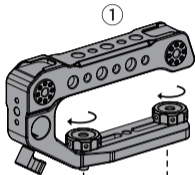
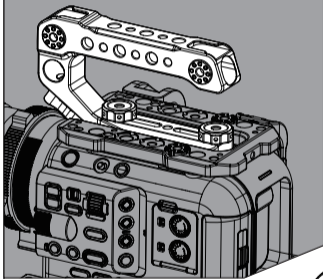
(图传支架可根据拍摄需求，180度翻转来使用。)



06 安装专用上手提和竖拍上手提

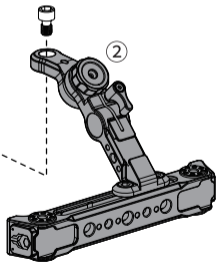


侧面预留有监视器接口，可锁紧原厂监视器支架。



▶ 安装①专用上手提。转动上手提上的旋钮将其锁紧在摄影机上。(上手提可前后移动，调节重心)

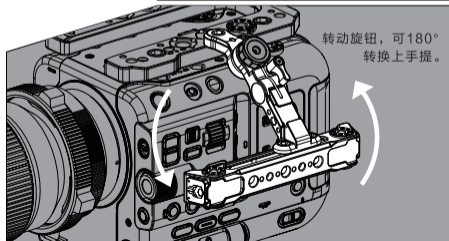
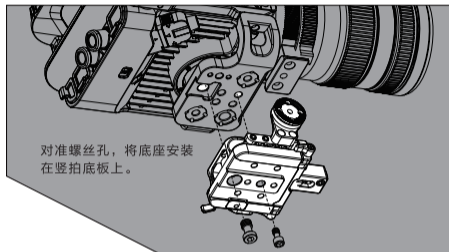
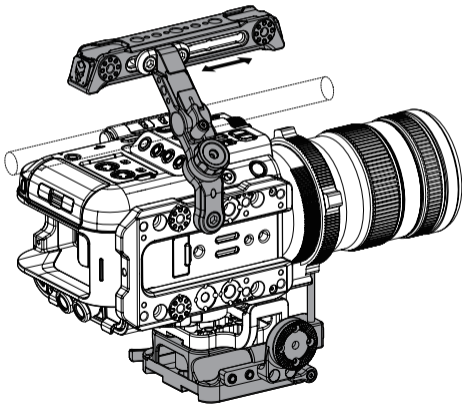
▶ 安装②竖拍上手提。通过1/4螺丝将其安装在顶板上的1/4定位孔上。



07 竖拍上手提的竖拍模式

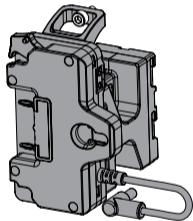
1. 竖拍上手提可180° 转换成竖拍模式，手柄可伸缩调节稳固中心。
2. 转换成竖拍模式时，底座可安装在竖拍底板上。

 侧面预留有监视器接口，可锁紧原厂监视器支架。

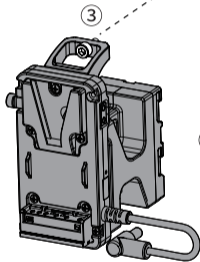


08 安装V口供电/安东口供电

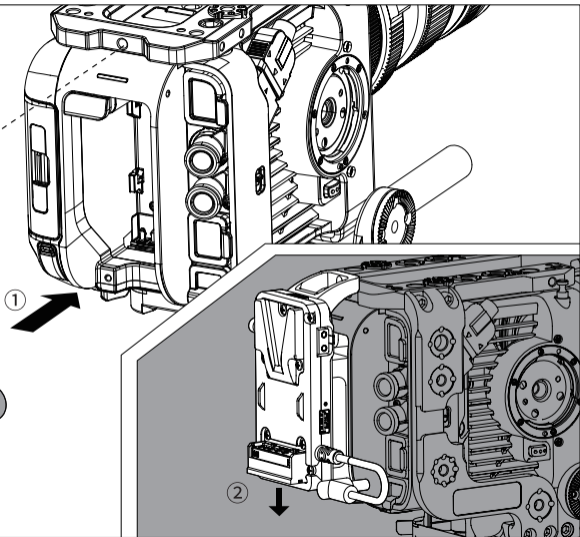
1. 将供电对准机器电池卡位。
2. 对准后向下扣紧。
3. 锁紧螺丝，完成安装。

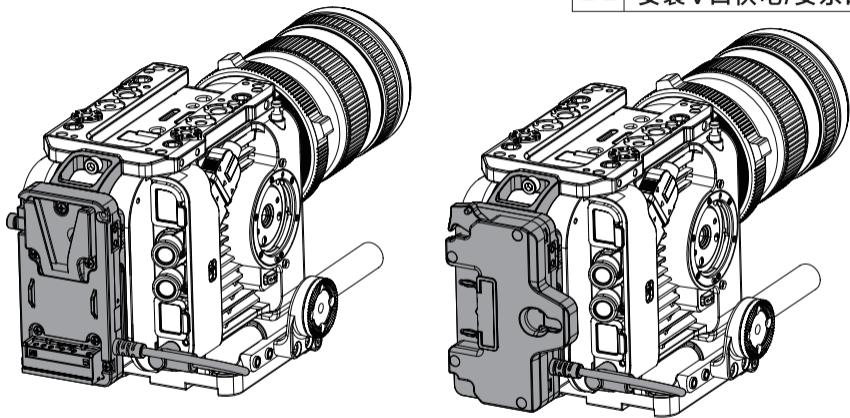


安东口供电



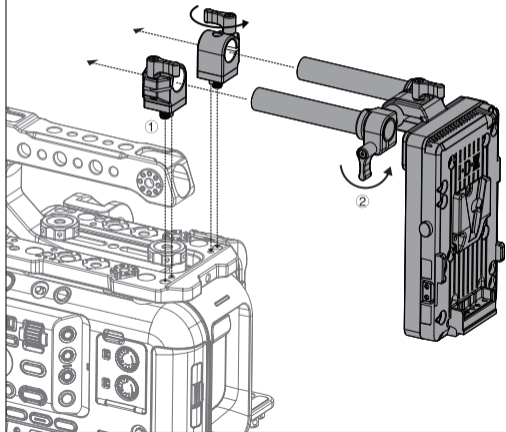
V口供电



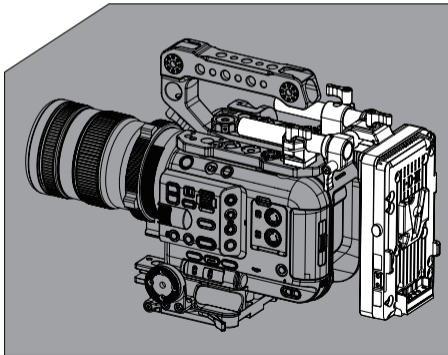


安装完成后，将V口供电/安东口供电的供电线接入机器上。

10 安装15mm管夹和后挂V口供电



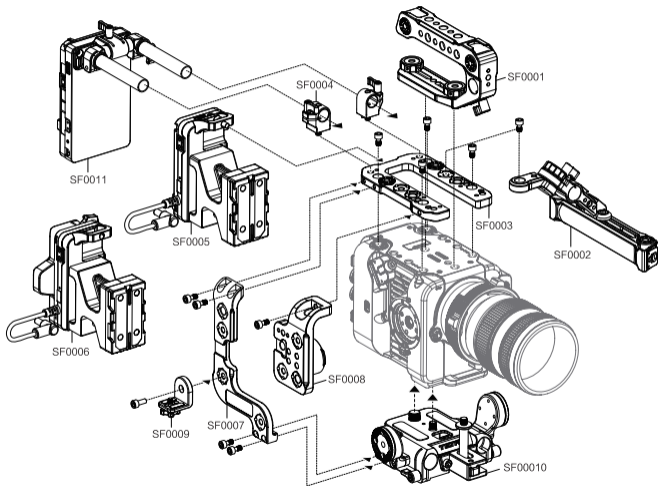
- ▶ 安装①15mm管夹。转动管夹上的手钮将其锁紧在摄影机上，便于安装后挂V口供电。
- ▶ 安装②后挂V口供电。将后挂V口供电的导管穿过15mm管夹并转动手扭锁紧，完成装在机器上的装配。



11 FOR SONY FX6

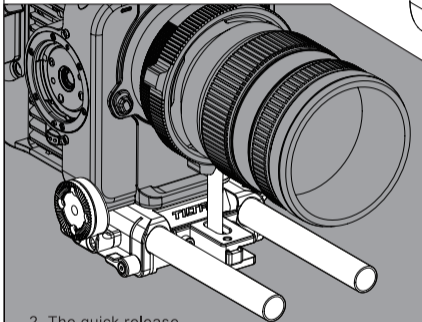
OVERVIEW

NO.	PRODUCT NAME	SKU
SF0001	Top Handle for Sony FX6	ES-T20-TH
SF0002	Adjustable Top Handle for Sony FX6	ES-T20-TH2
SF0003	Multi-Functional Top Plate for Sony FX6	ES-T20-MTP
SF0004	15mm Single Rod Holder for Sony FX6	ES-T20-SRH
SF0005	Battery Plate for Sony FX6 Type I - V-mount	ES-T20-BTP-V
SF0006	Battery Plate for Sony FX6 - Gold Mount	ES-T20-BTP-AB
SF0007	Side Arm for Sony FX6	ES-T20-SA
SF0008	Vertical Mounting Plate for Sony FX6	ES-T20-B
SF0009	Wireless Video Mounting Bracket for Sony FX6	ES-T20-WVM
SF0010	Quick Release Baseplate for Sony FX6	ES-T20-QRBP
SF0011	Battery Plate for Sony FX6 Type II - V-mount	ES-T20-BTP2-V



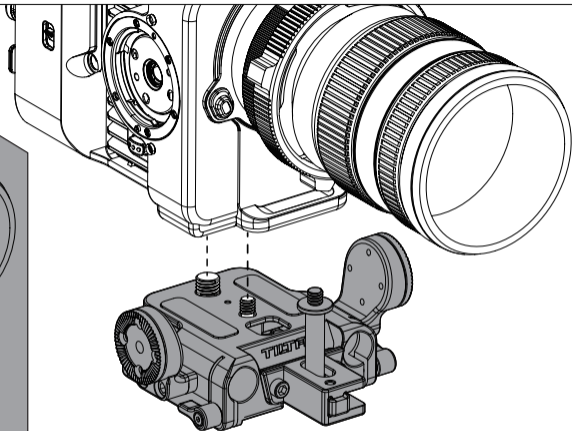
12

INSTALLING QUICK RELEASE BASEPLATE



2. The quick release baseplate has a built-in 15mm rod holder.

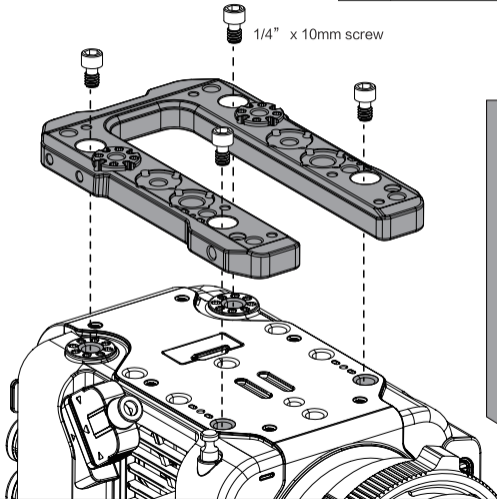
3. Lens support can be mounted to the front of the baseplate.



1. Install the quick release baseplate to the camera and tighten the tie down screws. (Please install the lens support if it's needed for your setup.)

13

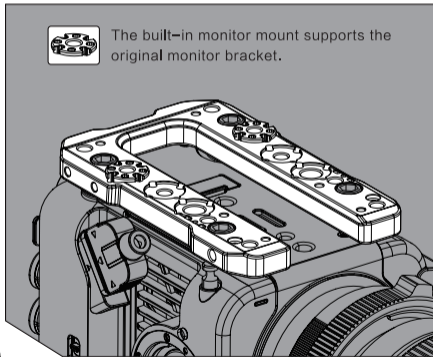
INSTALLING MULTI-FUNCTIONAL TOP PLATE



- ▶ Align the threaded screw holes, and install the multi-functional top plate.



The built-in monitor mount supports the original monitor bracket.



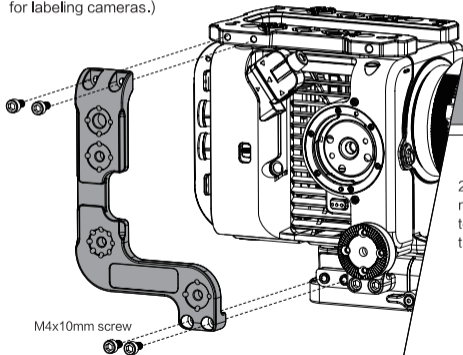
14

INSTALLING SIDE ARM & VERTICAL MOUNTING PLATE

► Installing the Side Arm

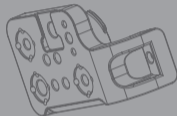
Align the screw holes on the side arm with the screw holes on the top plate and the quick release baseplate.

(The side arm has reserved space for side arm stickers for labeling cameras.)

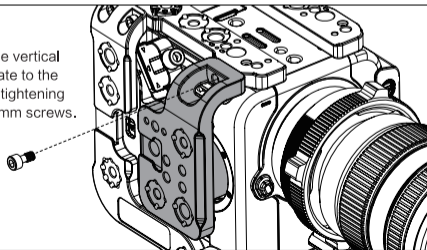


► Installing the Vertical Mounting Plate

1. Tilt the vertical mounting plate. Align the plate with the locating points on the side of the camera body. Rotate to lock into position.

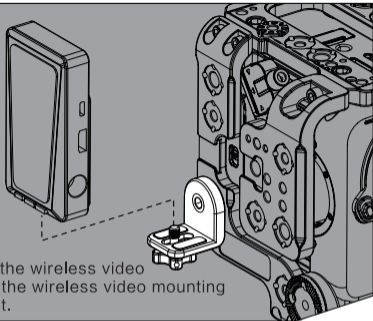


2. Secure the vertical mounting plate to the top plate by tightening the M5 x 16mm screws.



15

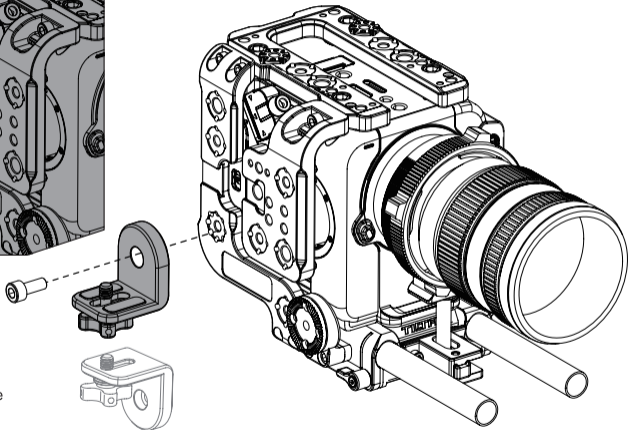
WIRELESS VIDEO MOUNTING BRACKET



Install the wireless video unit to the wireless video mounting bracket.

- ▶ Align the screw holes and install the wireless video mounting bracket to the 1/4" -20 threaded hole with locating points on the side arm.

(The wireless video mounting bracket can be turned 180° for your setup needs.)

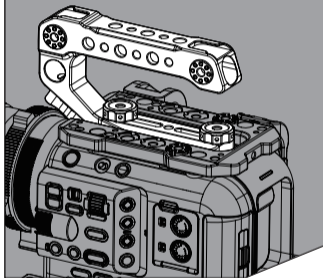


16

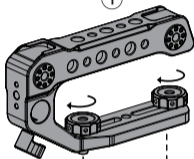
INSTALLING TOP HANDLE & ADJUSTABLE TOP HANDLE



The built-in monitor mount supports the original monitor bracket.



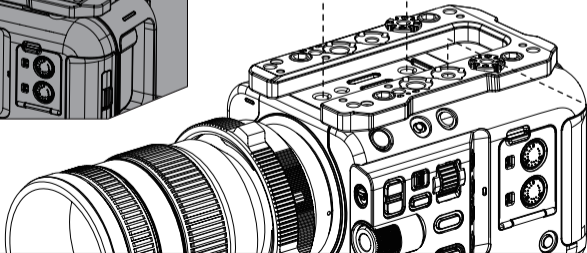
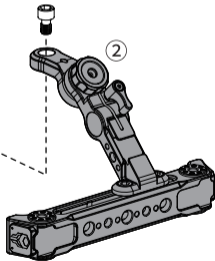
①



► Install the ① top handle. Tighten the tie downs on the top handle. (The top handle can be adjusted forward and backward.)

► Install the ② adjustable top handle. Secure the handle to the top plate by tightening the 1/4" -20 screw.

②

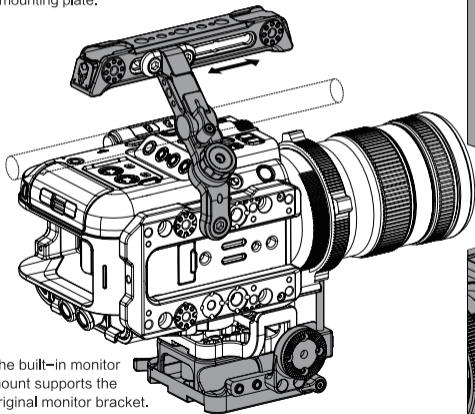


17

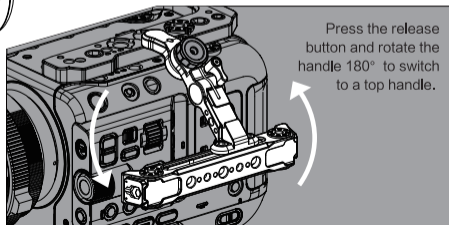
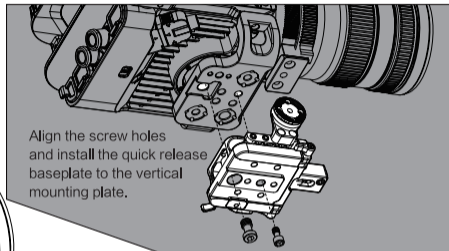
ADJUSTABLE TOP HANDLE & VERTICAL SHOOTING MODE

1. The adjustable top handle can be turned 180° to support vertical shooting mode. For better operating help finding the center of gravity, adjust the handle forward and backward.

2. When shooting vertically, the quick release baseplate can be installed to the vertical mounting plate.



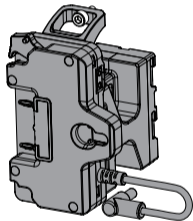
The built-in monitor mount supports the original monitor bracket.



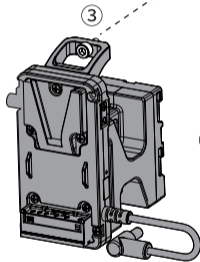
18

INSTALLING V-MOUNT & GOLD MOUNT BATTERY PLATE

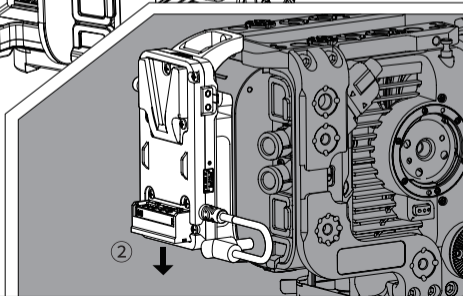
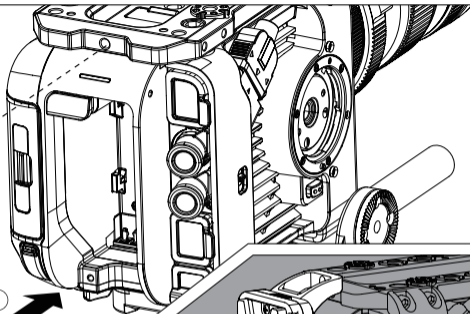
1. Align the battery plate with the battery chamber on the camera body.
2. Push down to lock into position.
3. Tighten the screw to complete the installation.

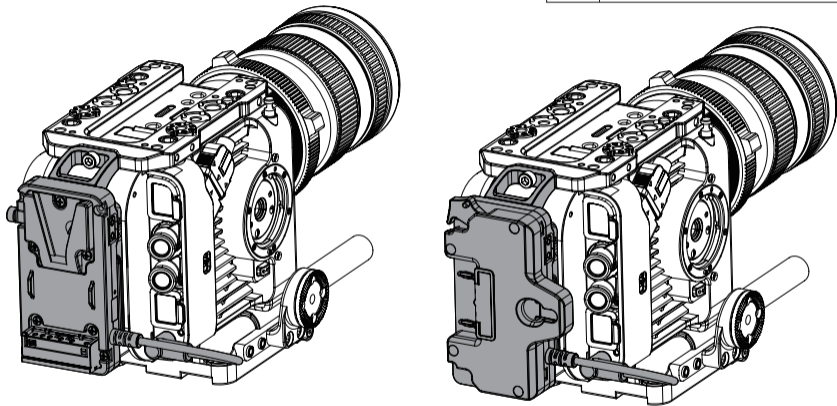


Gold Mount
Battery Plate



V-mount Battery
Plate - Type I

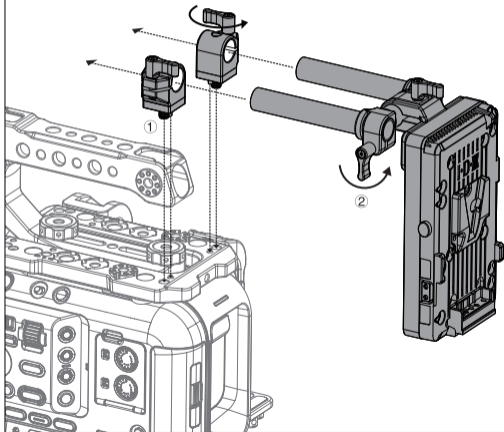




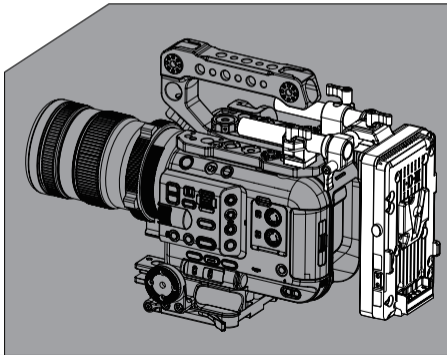
Connect the battery plate (V-mount or gold mount) and the camera via the power cable.

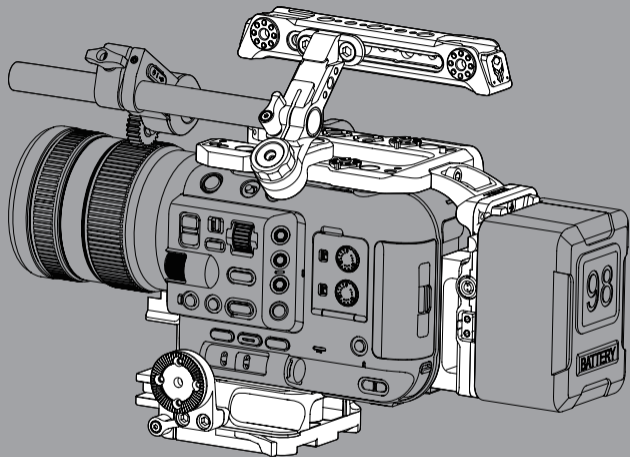
20

INSTALLING THE 15MM SINGLE ROD HOLDER & THE V-MOUNT BATTERY PLATE TYPE II



- ▶ Install the ① 15mm single rod holder. Tighten the tie downs on the rod holders to secure them to the camera.
- ▶ Install the ② V-mount battery plate type II. Insert the rods on the battery plate into the rod holders and tighten the tie down to complete the installation.





TILTA FOR SONY FX6