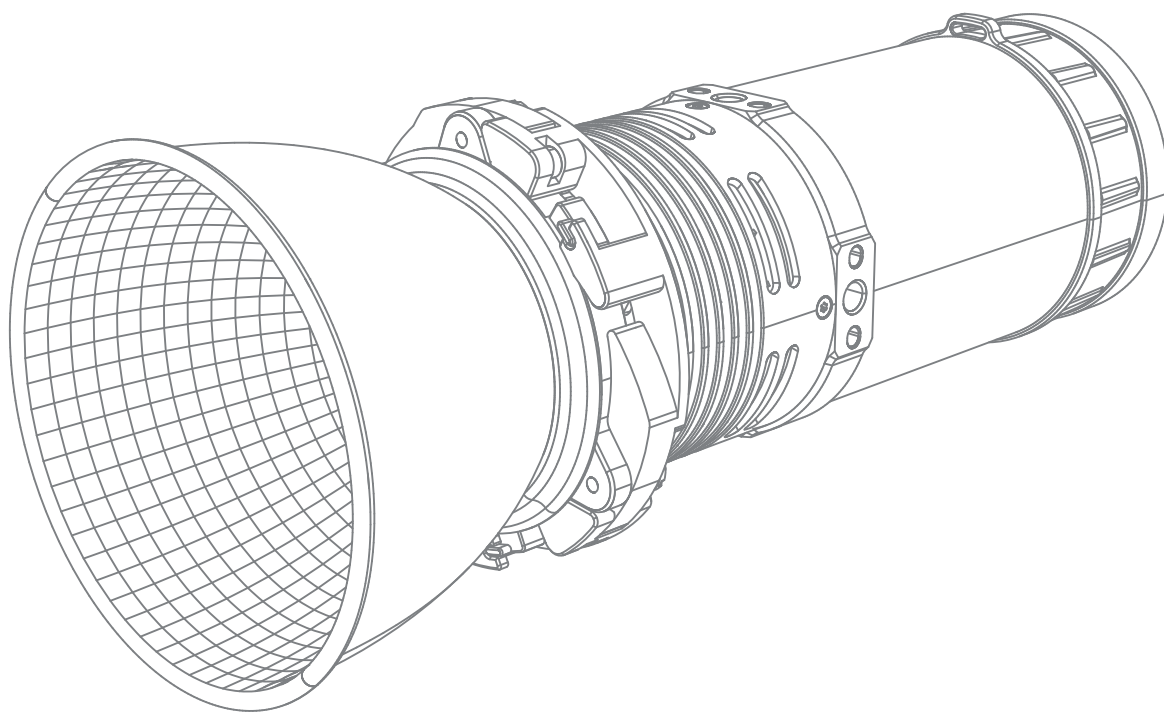


GOLD CROW User Manual

V1.1 2023.05



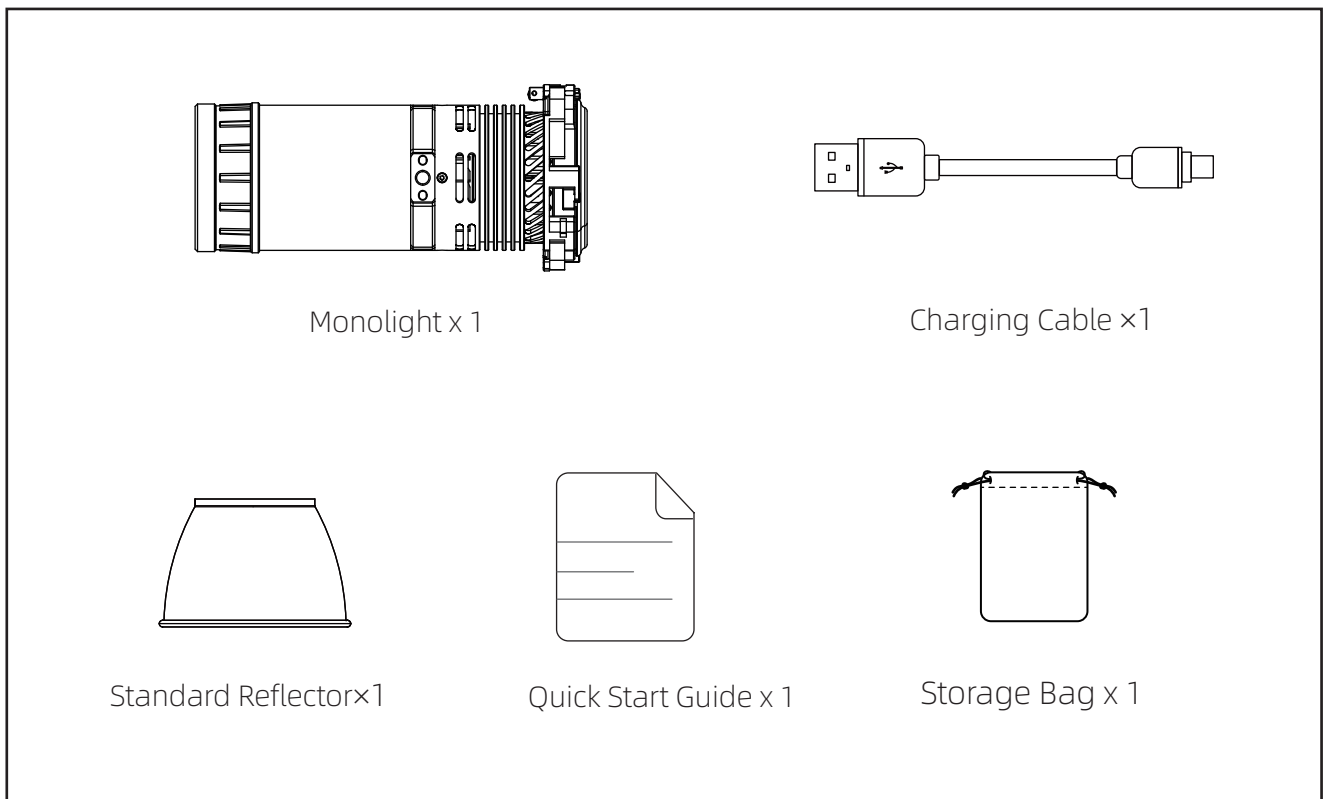
Contents

Product Overview	01
Product List	01
Product Structure	02
Interface Instructions	03
Effect Mode Introduction	04
Firmware update	05
Product Usage	07
Transport Mode	07
Activate screen	08
Unlock	08
Brightness Adjustment	09
Color Temperature Adjustment	10
Charging and Discharging	11
FAQ	11
Product Maintenance	11
Precautions	12
Product Paramters	13

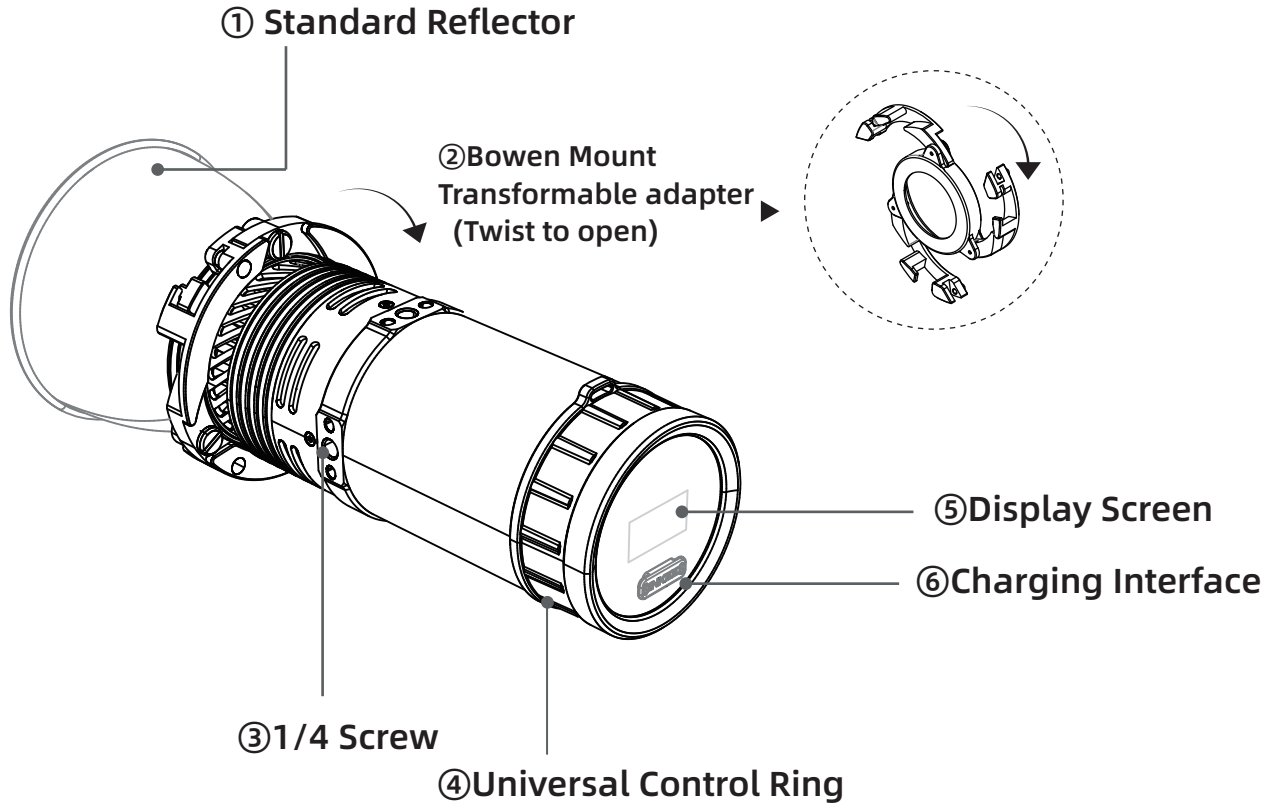
Product Overview

Gold Crow Daylight/Bi-color LED Monolight is a newly designed LED fixture by INKEE, with compact structure, small size, good texture and high-cost performance. Featuring a high-performance level such as high brightness, high CRI and adjustable brightness, this fixture can be used with the existing Bowens lighting accessories to realize a variety of lighting effects, offers variable output to suit different needs and act as your main key, fill, or backlight, easily achieve professional-level photography and videography.

Product List

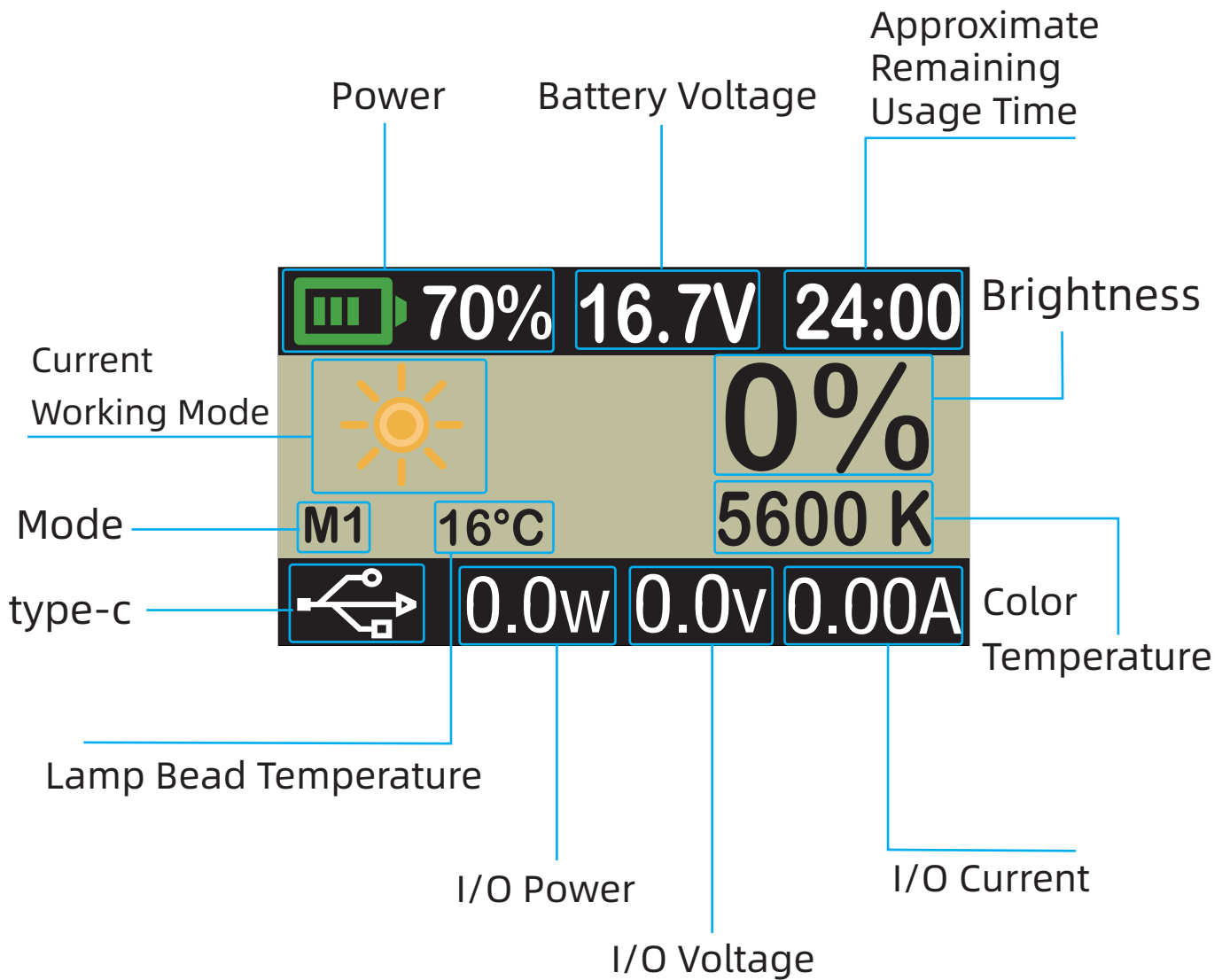


Product Structure



- ① Lampshade: gather light and improve central illumination.
- ② Bowen Mount Transformable adapter : Bowen Mount Transformable Adapter: Can be loaded with official standard reflector and various Bowens accessories.
- ③ 1/4 Screw: for loading and unloading other accessories
- ④ Universal Control Ring: adjust the brightness of the fixture and the optional parameters
- ⑤ Display Screen: display data
- ⑥ Charging Interface: supply power

Interface Instructions



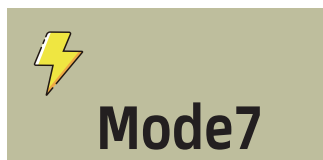
Effect Mode Introduction



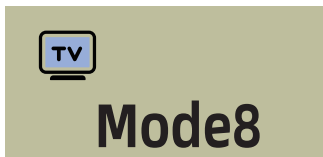
Constant Light Mode: the light remains on.



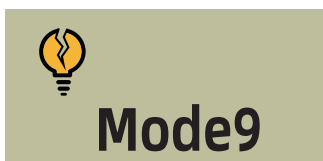
Blinking Mode: the more star icons, the faster the flickering; the fewer the star icons, the slower the flickering; Flickering are random flashes.



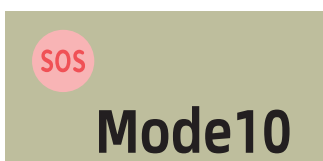
Lightning Mode: the more lightning icons, the denser the lightning speed; and the less flashing lightning icons, the longer the flashing interval; lighting is triggered randomly.



Bad TV Mode: the lights go into a simulated bad TV state with random and irregular brightness variations.



Bad Bulb Mode: simulate the flickering of a damaged bulb; random high-frequency flickering.



SOS Mode: the light enters the SOS distress flashing state; three short, three long and three short international distress flashes.

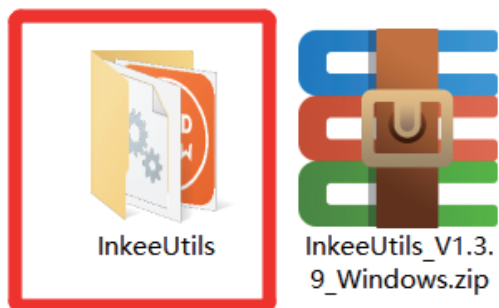
Firmware update

①Go to INKEE official website(<https://www.in-kee.com/>) to download - Firmware version

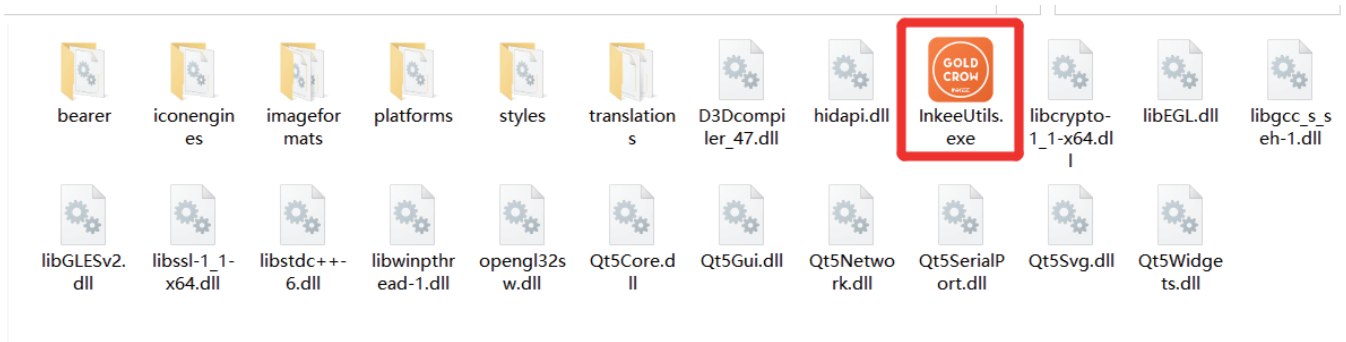
GOLD CROW三足乌 专用固件下载



②Download and decompress the file, open the InkeeUtils folder.



③GOLD CROW LED Monolight is connected to the computer with a Type-C cable; Find InkeeUtils.exe and click to open.



④After opening and detecting that the device is connected, you can click “Update” .



⑤When the progress bar jumps to 100%, an arrow will appear on the screen to indicate that the update is completed.

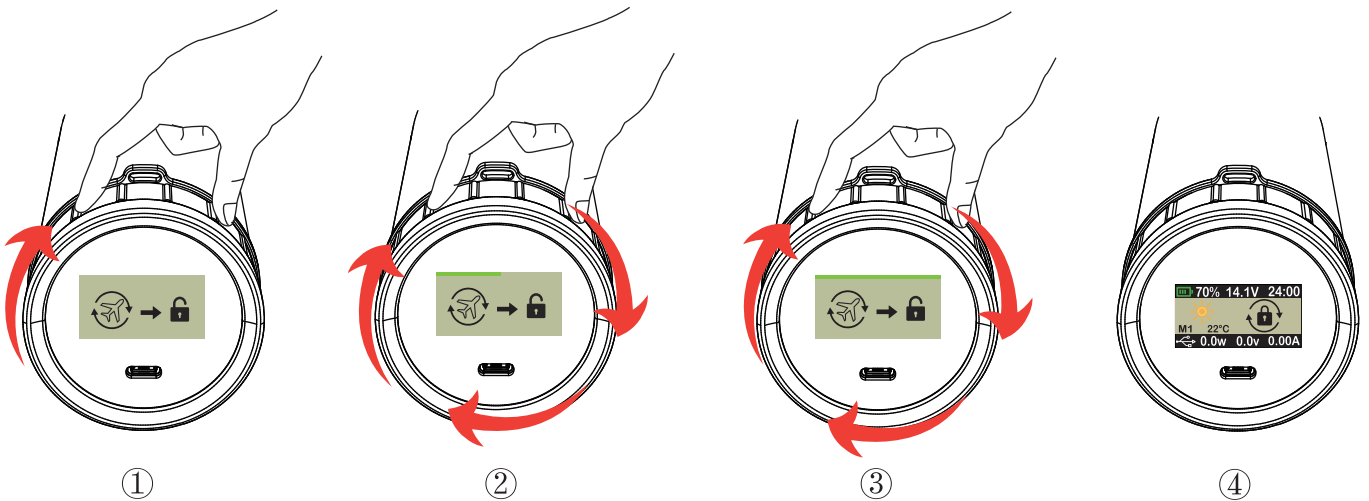


Product Usage

Transport Mode

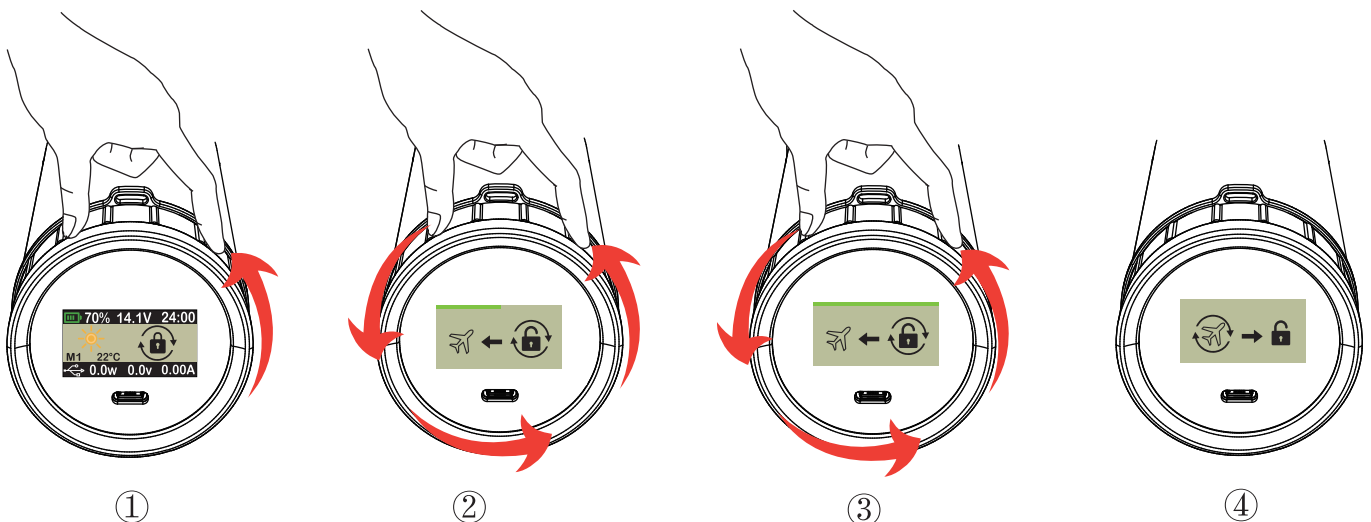
Deactivate the transport mode

When using this product for the first time, please exit the transportation mode first: Rotate the control ring to activate the screen, and the transportation mode interface will be displayed ①, Next, you need to continuously rotate the control ring clockwise several times ② until the progress bar at the top of the screen is full ③. Enter the main menu and successfully exit the transport mode.④



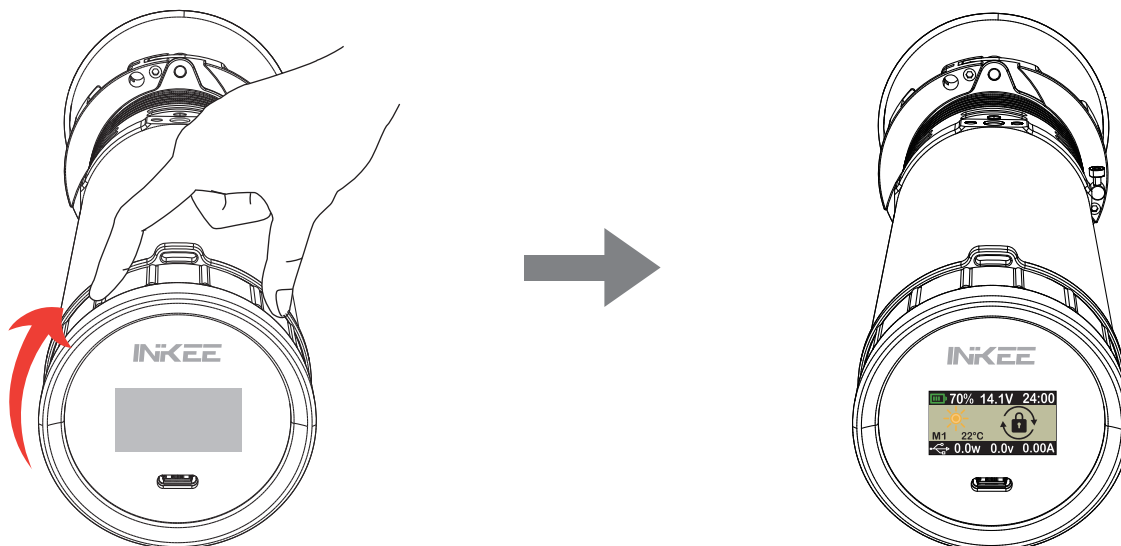
Enter Transport Mode

On the lock interface ① keep rotating the control ring counterclockwise ② until the green progress bar at the top of the screen is full ③, and the airplane icon appears, which means entering transport mode.



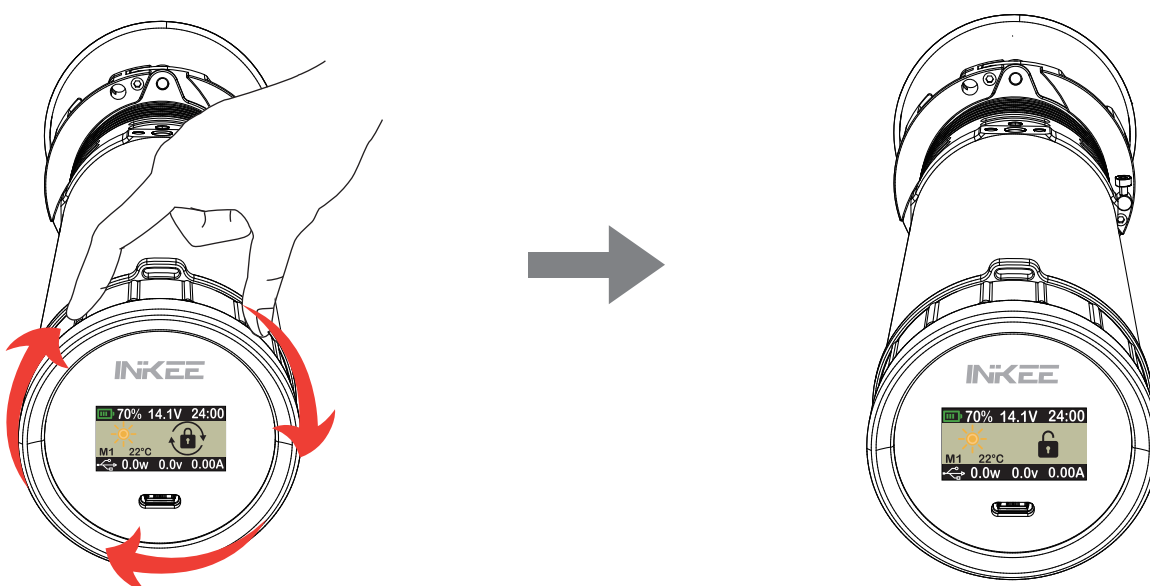
Activate screen

Rotate the control ring in either direction (turn left or right) to activate the screen.



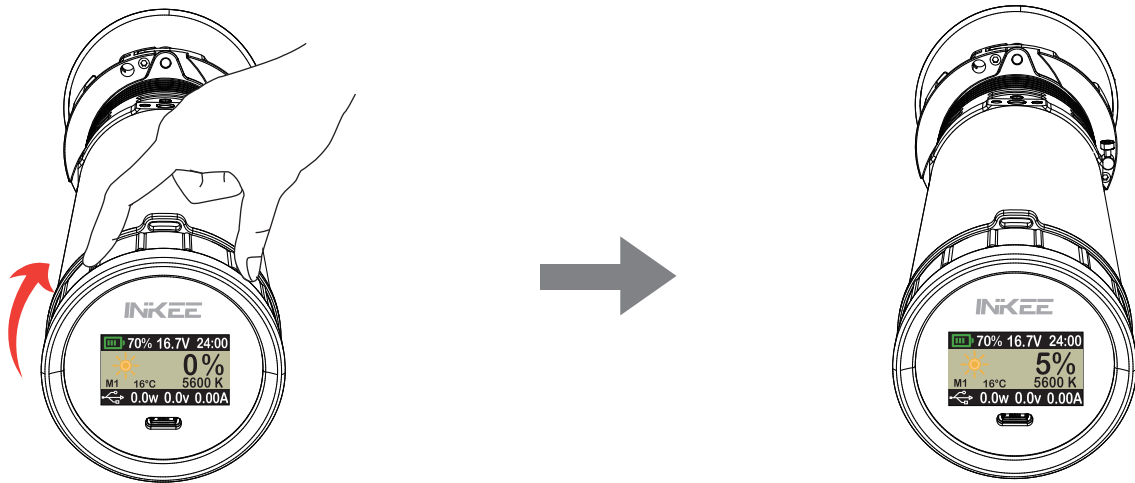
Unlock

After activation quickly rotate clockwise to unlock and enter the main interface.

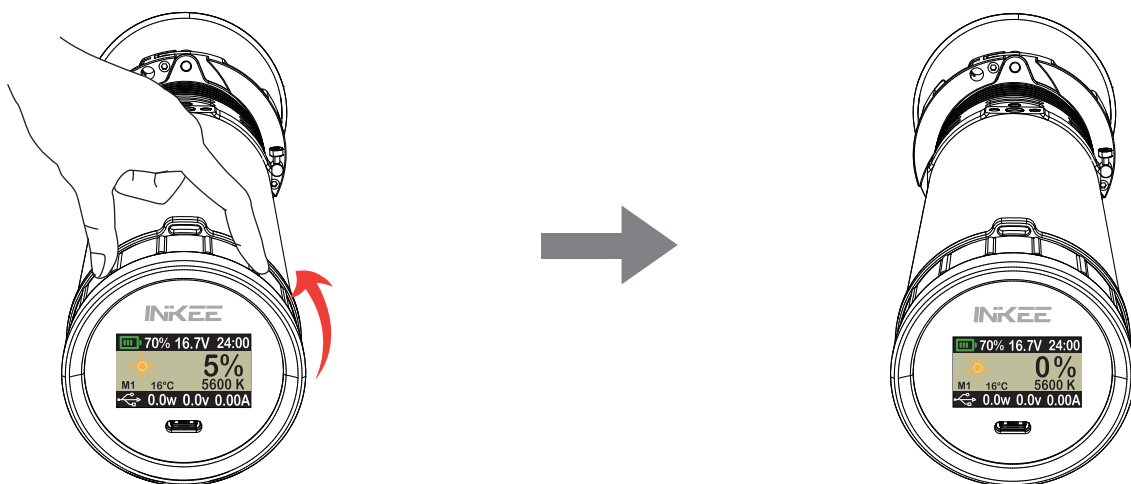


Brightness Adjustment

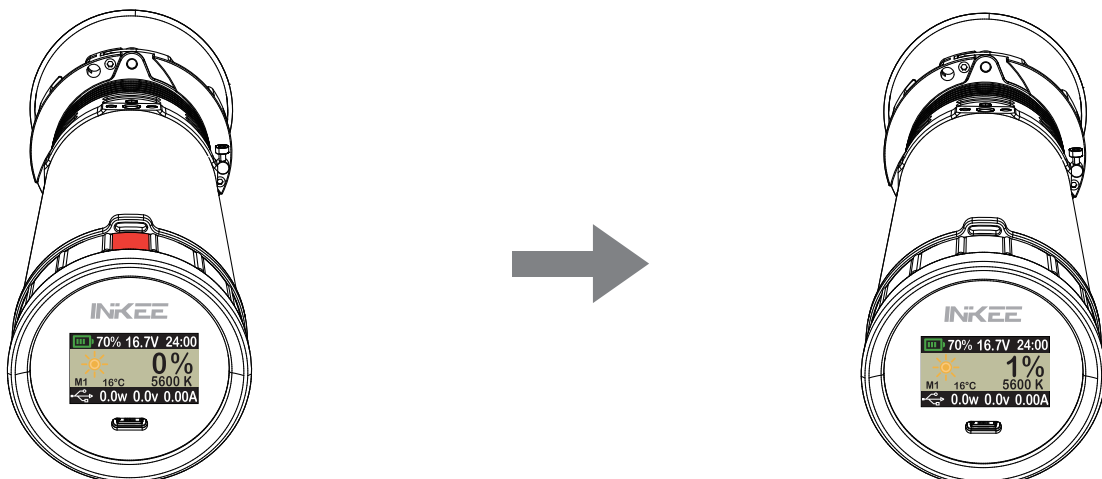
1. Rotate clockwise to increase the brightness.



2. Rotate counterclockwise to reduce the brightness.

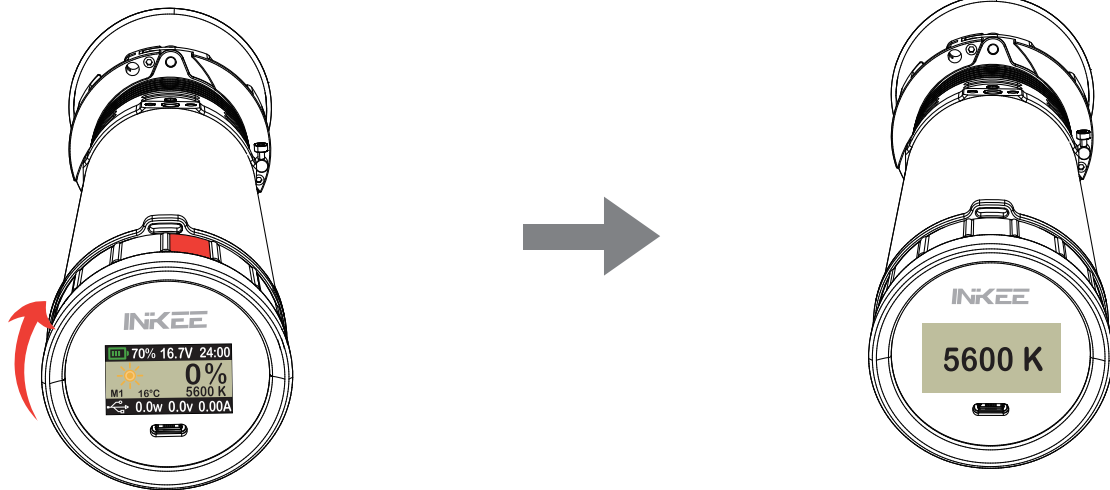


3. Each turn is to adjust the brightness by 1%, quickly turn is to adjust the brightness by 10%.



Color Temperature Adjustment

1. Turn and hold half a block for 2 seconds clockwise to enter the color temperature adjustment interface.



In this interface rotate the control ring to select the color temperature

2. Turn and hold half a block for 2 seconds counterclockwise to enter the mode selection interface.



In this interface rotate the control ring to select the color temperature

Charging and Discharging

Discharging: with a certified charging cable you can charge other devices.

When using a Type-C charging, the power of the light depends on the charging head, the maximum is 60 W which cannot be overclocking.

When the power is 20%, the brightness of the light will be limited to 50%;

When the power is 10%, the brightness of the light is limited to 20%;

When the power is 0%, the brightness of the light is limited to 5%.

FAQ

Why does it suddenly turn dark when I use it?

1. It may be that the temperature of the lamp is overheated. After exceeding 75 degrees, the protection of the lamp cap will be turned on, and the brightness will be automatically reduced to protect the lamp cap.
2. Low battery, low battery protection.

Why can't it turn on?

It may be that the battery is over-discharged and the battery is in deep sleep. You need to use a 5V1A charging head to charge the device and activate the battery. When the screen lights up, you can use the fast charging head to charge it.

How does the daylight monolight overclock?

When the power of GC60 Daylight version is higher than 50%, rotate it quickly to the right for a circle to enter the overlocking state. The maximum overclocking is 150%, that is, 90W power.

Product Maintenance

1. Please switch to transport mode when not using the product.
2. The type-C port is not waterproof, please do not contact with water.
3. Please take good care of this product and do not place it with the reach of the children.
4. When the fixture is not in use or during cleaning, please turn off the power in time.

Precautions

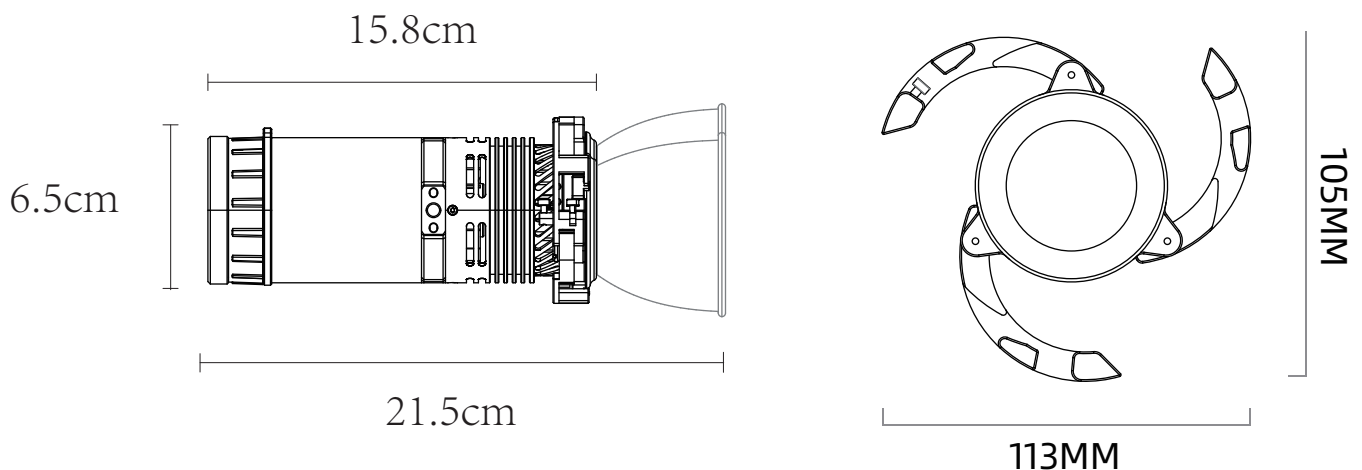
1. In order to avoid accidental touch and slide switch, it is recommended to enter the transport mode when the product is not in use.
2. When using for the first time, please complete a charging and discharging cycle, that is, fully discharge until the battery is exhausted and then fully charge it!
3. The type-C port is not waterproof, please do not contact with water.
4. When this product is working, do not look directly at the COB lamp bead; do not cover the lamp head with objects; do not touch the lamp bead under any circumstances.
5. There must be no obstructions on the ventilation holes, so as not to affect heat dissipation and cause equipment damage.
6. Do not disassemble the fixture at will. If you disassemble it yourself and cause a failure, it is not within the scope of our warranty, but the user can pay for repairs.
7. Do not place this product near liquids or other flammable and volatile solvents to avoid damage to the product.
8. Please use a soft or dry cloth to clean the device.
9. To reduce the risk of electric shock, do not immerse this product in water or other liquids.
10. Care must be taken when touching high-temperature parts to prevent burns.
11. Children must be closely supervised when they are near or using the device.
When using the device, do not leave the device unattended while it is in use.

Product Paramters

Model	GC30
Rated power of the lamp head	30W
Input voltage current	5V/1A ; 5V/2A ; 5V/3A ; 9V/3A ; 12V/3A ; 15V3A ; 20V/3A ; 20V/5A
Battery Capacity	71Wh 14.8V 4800mAh
CRI	Average 95
TLCI	Average 96
Color Temperature	2700K-5600K
Dimming Range	0%-100%
Control Method	Lamp body control
Scene Effects	Constant Light Mode , Blinking Mode , Lightning Mode , Bad TV Mode , Bad Bulb Mode , SOS Mode
Product dimation	SEE PIC
Product Weight	≈1KG

OPTICAL PARAMETERS

GC30	Mono light	With Standard Reflector
1米100%2700K	2087lux 193.9fc	7812lux 725.8fc
1米100%4000K	2328lux 216.fc	8658lux 804.3fc
1米100%5600K	2537lux 235.7fc	9203lux 855.0fc
1米100%6500K	2526lux 234.7fc	9359lux 869.5fc



Shenzhen Yingzhiqi Technology Co., Ltd

Address: 18A, Ruijun Business Building, No.108,Central Road,
Xinqiao Street, Bao'an District, Shenzhen,
Guangdong Province

Tel: +86 40096 80096

Website: www.in-kee.com

Latest version of the User Manual is available at Official Website:
<https://www.in-kee.com/gold-crow-v1-1/>

This manual is subject to update without prior notice. If you have any questions or suggestions about the manual, please contact us at the following email address:
info@in-kee.com



Official website QR code



WeChat Subscription