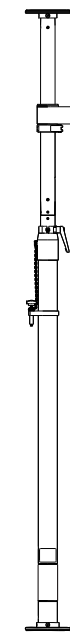


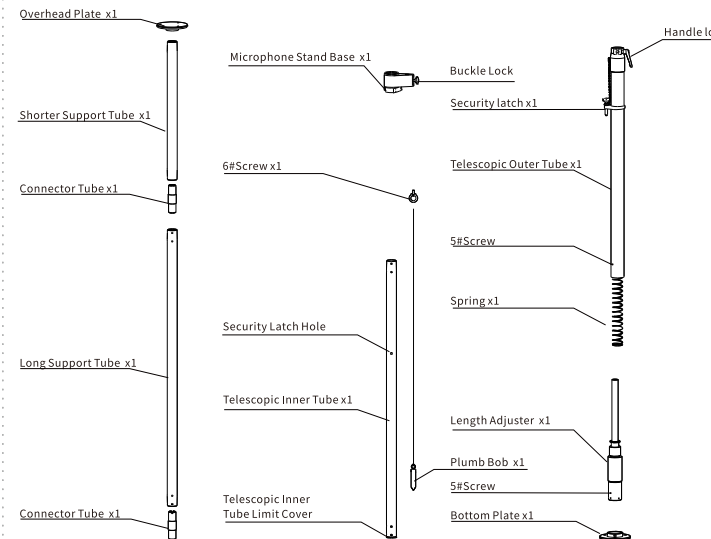


Vlogtopus Telescopic Pole AS-H1



User Manual

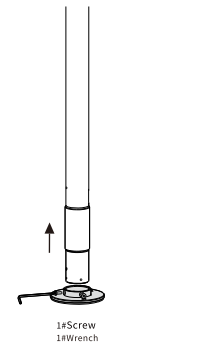
Vlogtopus Desk Mount Kit also compatible with Vlogtopus Telescopic Pole



Notice

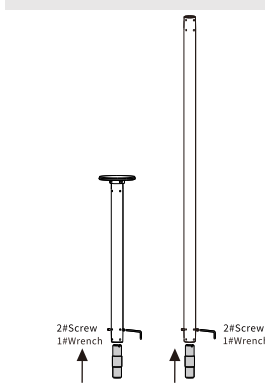
Please use the security latch to avoid any accidental injury when retracting or storing the telescopic tube!
Please make sure the Telescopic Pole is well installed, adjusted and fixed before mounting any equipment onto it!

Bottom Plate Installation



Install the Bottom Plate into the Length Adjuster and fix it with 1#Screws

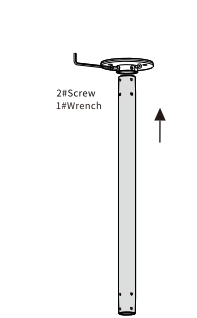
Connector Tube Installation



Insert the Connector Tube into the Shorter Support Tube and Long Support Tube separately, and fix it with 2#Screws

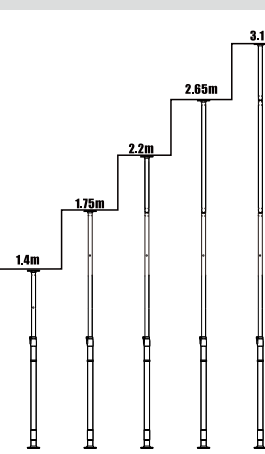
A detailed video of the operation can be viewed on the official website at <https://www.zeapon.com>

Overhead Plate Installation

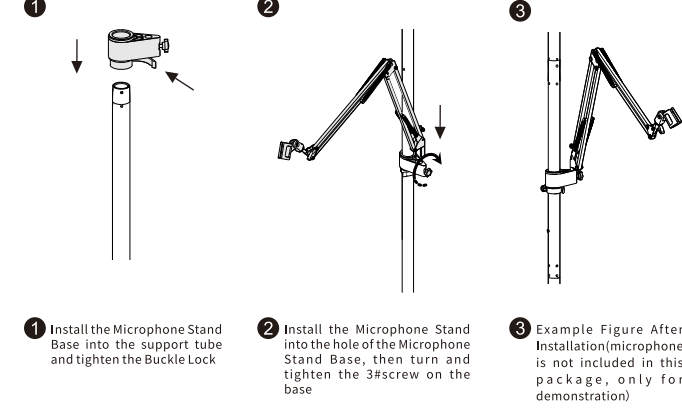


Fit one end of the support tube into the Overhead Plate and fix it with 1#Screws

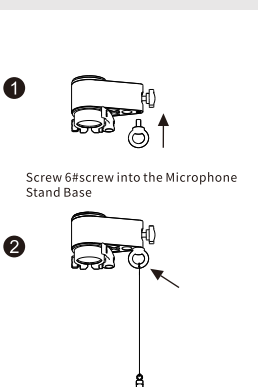
Telescopic Pole Height Design



Microphone Stand Installation

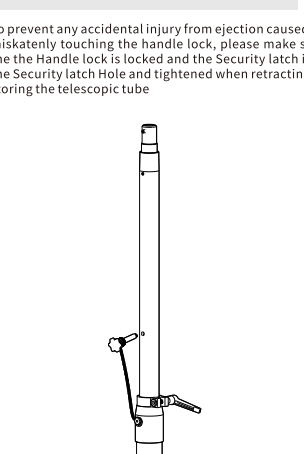


Plumb Bob Installation



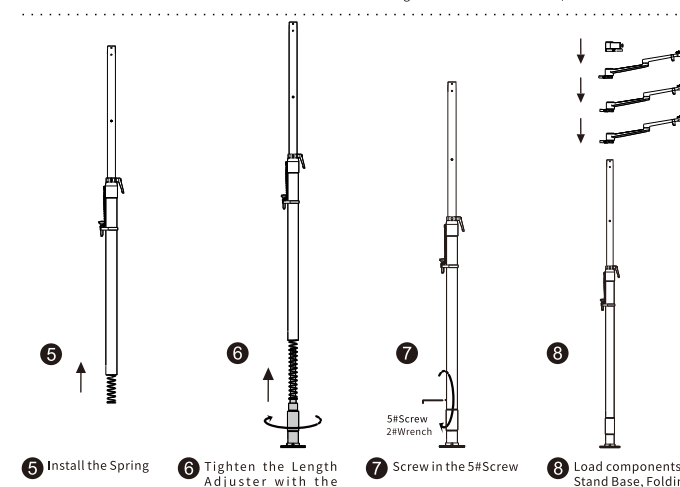
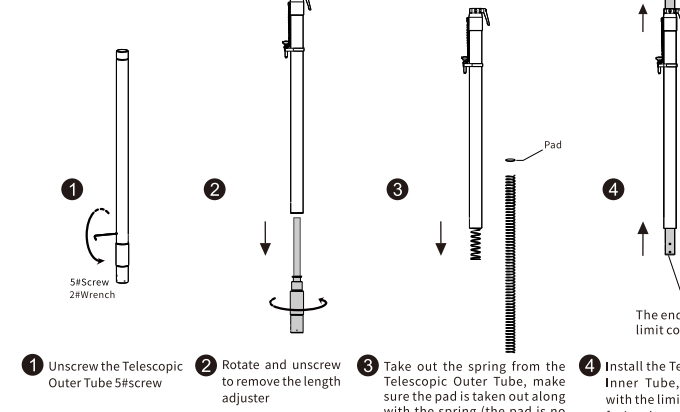
Tie the plumb bob with the rope on to the 6#Screw (Length can be adjusted according to actual needs)

Use of Security Latch



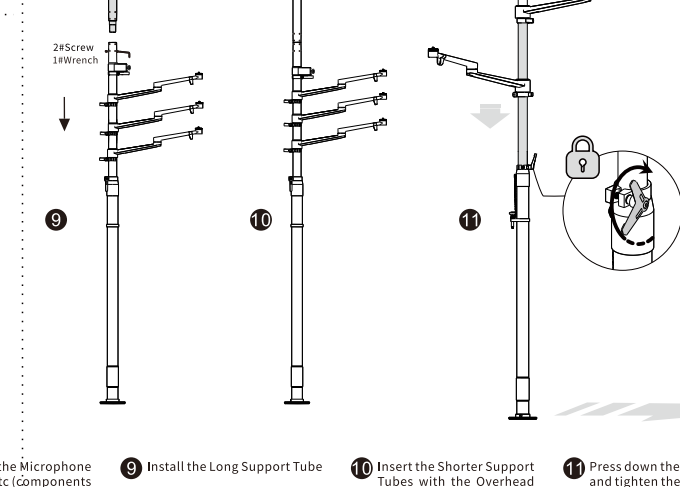
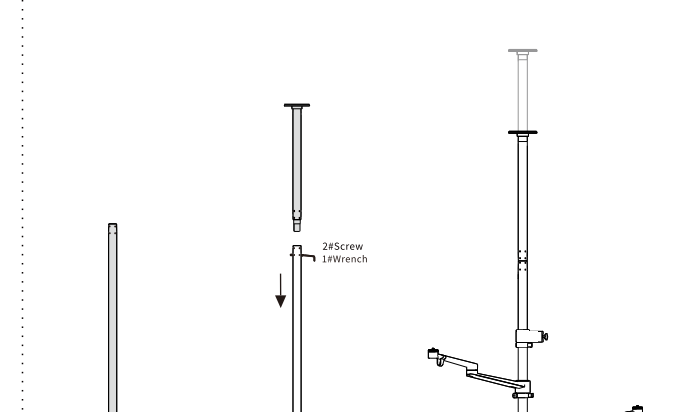
To prevent any accidental injury from ejection caused by mistakenly touching the handle lock, please make sure the Handle lock is locked and the Security latch is in the Security latch Hole and tightened when retracting or storing the telescopic tube

Main Tube Installation and Adjustment



5. Install the Spring 6. Tighten the Length Adjuster with the Bottom Plate installed 7. Screw in the 5#Screw 8. Load components such as the Microphone Stand Base, Folding Arm, etc (Components are not included in this package, only for demonstration)

Main Tube Installation and Adjustment



9. Install the Long Support Tube 10. Insert the Shorter Support Tubes with the Overhead Plate installed 11. Press down the telescopic tube and tighten the Handle Lock 12. Move to the position where you need to use the Telescopic Pole. Release the Handle lock, the telescopic tube will automatically spring back against the ceiling 13. Adjust the angle between the Telescopic Pole and the ground using the Plumb Bob, make sure it's perpendicular, then tighten the Handle Lock 14. Turn the Length Adjuster clockwise 15. Tighten the two 5#Screws with a 2#Wrench, make sure it's secure. The two 5#Screws can also be replaced by the 3#Screw in the accessory bag for easier use 16. Mount camera equipment on the telescopic tube. Installation complete and you can start using