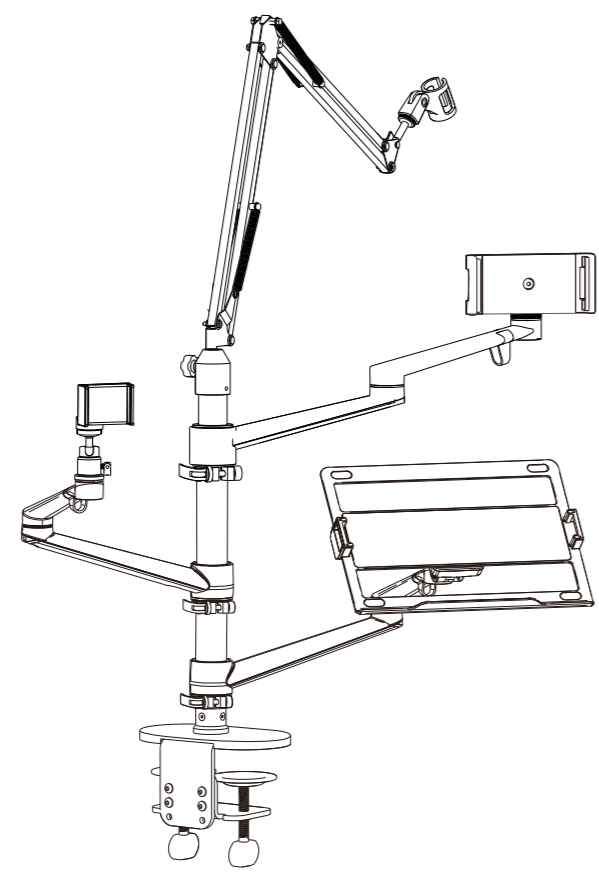




# DM-H1 Vlogtopus Desk Mount Kit



## ⚠ Precautions

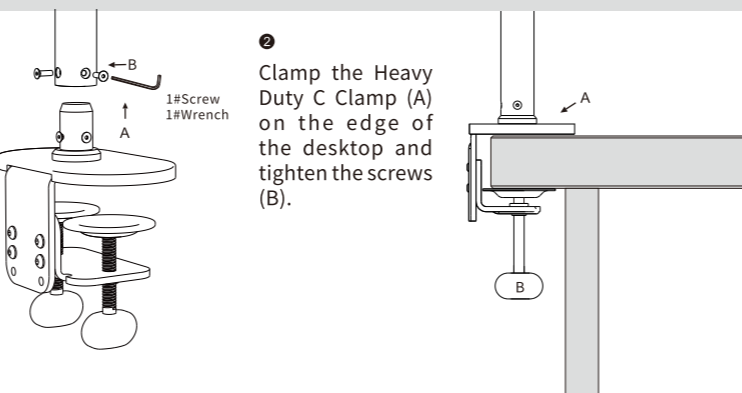
Please read the installation instructions carefully before installation.

The installed desktop shall bear the total weight of the mount and other used objects.

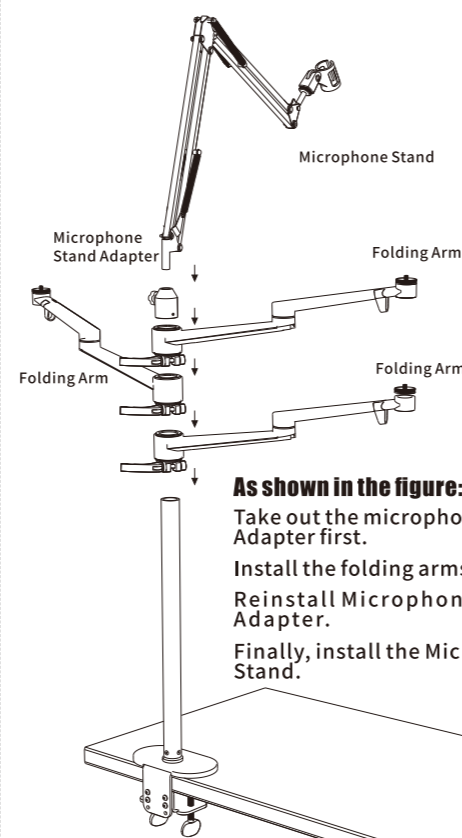
Be sure to use supporting tools for installation. It is recommended that two people cooperate to assemble more efficiently.

## Installation of Heavy Duty C Clamp

- Install the Heavy Duty C Clamp (A) into the main rod of the desktop and secure it with 1#screws (B).
- Clamp the Heavy Duty C Clamp (A) on the edge of the desktop and tighten the screws (B).



## Installation of Folding Arm



**As shown in the figure:**  
Take out the microphone Stand Adapter first.  
Install the folding arms in turn.  
Reinstall Microphone Stand Adapter.  
Finally, install the Microphone Stand.

## Installation of Tablet Holder

- Remove the screws as shown in the figure.
- Remove the arm screws as shown in the figure.
- Place the accessories on the separate arms and tighten the screws as shown in the figure.

## Installation of Cell Phone Holder

- Install the Ball Head first, then install the Fixing Ring on the Cell Phone Holder, and finally install the Cell Phone Holder on the Ball Head.

## Installation of Microphone Stand

Position the Microphone Stand at the microphone stand adapter jack and tighten the 7#screws on the adapter.

## Installation of Camera Crab Clamp (extended interface)

Clip the Camera Crab Clamp on the Connecting Arm, and use the 6#screw to match the 1/4" and 3/8" screw size devices.

## Expansion interface installation

Install the 5# screw on the Folding Arm, which can be expanded to use corresponding screw equipment.

## Installation of Multi-functional Adapter

- Remove the screws with a 3#wrench as shown in the figure.
- Tighten the screws with a 3#wrench as shown in the figure.

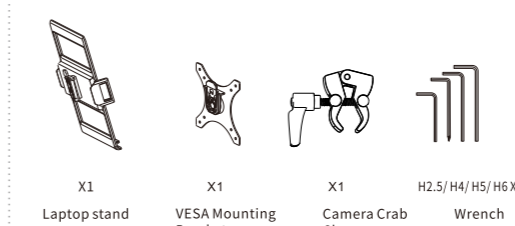
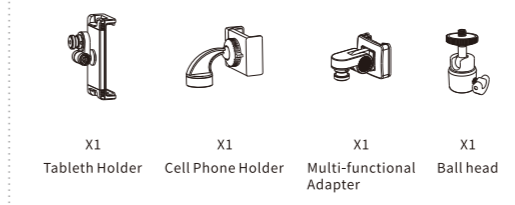
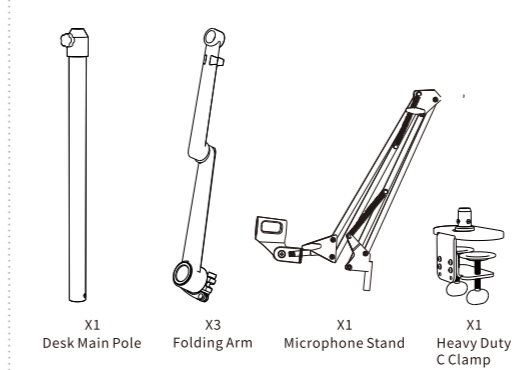
## Installation of monitor

- Install the VESA mounting bracket to the back of the monitor. (note that the slot is oriented upward)  
VESA: 75\*75mm 100\*100mm
- Insert the VESA mounting bracket slot and hear the click.

## Installation of Laptop Stand

- Insert the laptop stand into the slot and hear the click.
- Install the adapter in reverse as shown in the figure.

## Installation of Accessories



A detailed video of the operation can be viewed on the official website at <https://www.zeapon.com>

## Cable Management

- Open and remove the thread fastener (A), put the cable into the thread fastener, and then install the Folding Arm back.

Note: Pull and open one side and take it off.

- Slide the plastic bottom cover (A) upwards and pull it out, Put the cable (B) into the bottom cover and replace it according to the original track.

## Damping Adjustment

If the rotation angle is too tight or too loose during installation, please use a wrench to adjust the screws.

