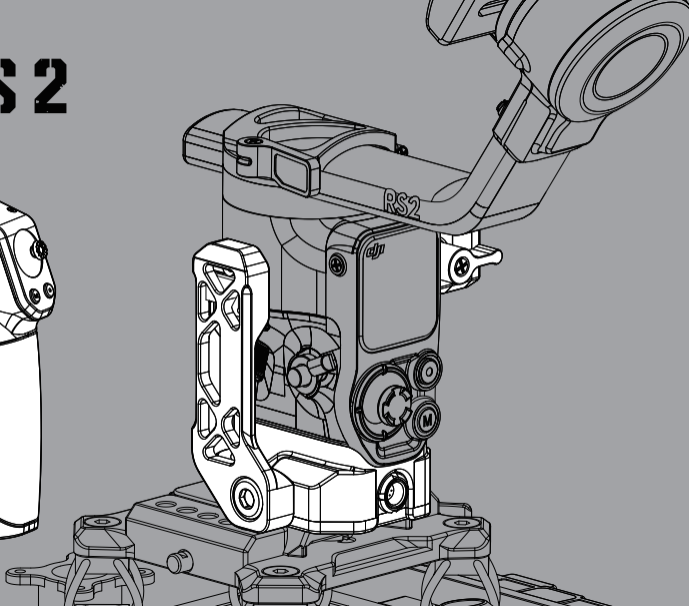
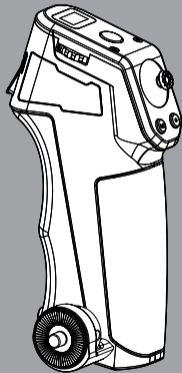


FOR DJI RS 2

REMOTE CONTROL KIT

RS 2 控制套装



TILTA

感谢您购买 TILTA 产品。本文所提及的内容关系到您的安全以及合法权益与责任。

使用本产品之前, 请仔细阅读本文以确保已对产品进行正确的设置。不遵循和不按照本文的说明与警告来操作可能会给您和周围的人带来伤害, 损坏本产品或其它周围的物品。本文档及本产品所有相关的文档最终解释权归 TILTA 所有。如有更新, 恕不另行通知。请访问 www.tilta.com 官方网站以获取最新的产品信息。

一旦使用本产品, 即视为您已经仔细阅读免责声明与警告, 理解、认可和接受本声明全部条款和内容。您承诺对使用本产品以及可能带来的后果负全部责任。您承诺仅出于正当目的使用本产品, 并且同意本条款以及 TILTA 制定的任何相关条例、政策和指引。

TILTA 对于直接或间接使用本产品而造成的损坏、伤害以及任何法律责任不予负责。用户应遵循包括但不限于本文提及的所有安全指引。

即使存在上述规定, 消费者权益依然受当地法律法规所保障, 并不受本免责声明影响。

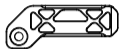
TILTA 是深圳市铁头科技有限公司及其关联公司的商标。本文出现的产品名称、品牌等, 均为其所属公司的商标或注册商标。

02

IN THE BOX | 物品清单



如影系列控制手柄 X1
Remote Control Handle
for RS 2/Ronin S



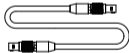
加强杆(带螺丝) X1
Holding Bracket
(with screw)



RS 2专用供电底座 X1
Power Supply Base
Plate for RS 2



D-TAP B型口转0B2芯 X1
(带针)电源线
D-Tap to 2-Pin Lemo Cable



5m 控制线 X1
(0B-6芯45度直头)
6-Pin Lemo to 6-Pin Lemo
Cable (500 cm)



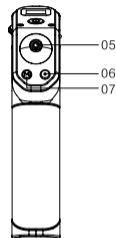
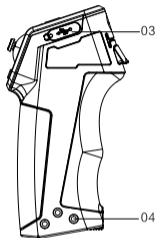
控制接收盒 X1
Remote Control Receiver
Module for RS 2

03

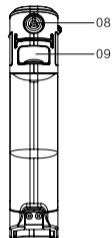
认识-控制手柄



侧面



正面



背面



顶面



底面

01 侧边拨盘
02 左边扩展孔

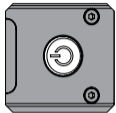
03 Type-C口
04 右边扩展孔
05 摇杆
06 相机控制按键

07 模式M按键
08 LEMO输出
09 扳机Trigger键

10 显示屏
11 开关机键
12 电池卡扣

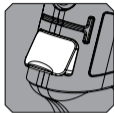
04

功能—控制手柄



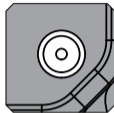
电源按键

长按 3 秒：开、关机
单击：切换主界面
双击：云台休眠
再双击：唤醒云台
三击：进入菜单功能设置



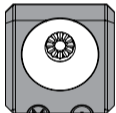
扳机Trigger键

单击：开始智能跟随
(安装图传系统并开启)
双击：云台回中
三击：进入自拍模式
长按不放：进入锁定模式



相机控制按键

半按：控制自动对焦
短按：开始或停止录像
长按：拍照



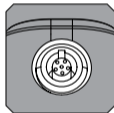
摇杆

上下摇动：控制俯仰轴运动
(默认)
左右摇动：控制平移轴运动
(默认)



侧边拨盘

往正时针方向为调节云台
速度加快,逆时针方向为调
节云台速度减慢



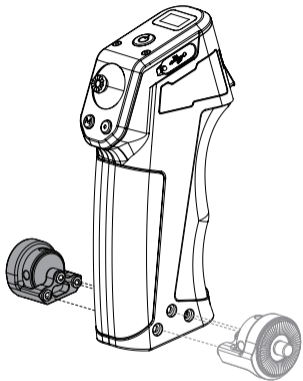
LEMO输出

0B-6芯LEMO线控输出
可通过转接线接到控制盒
来操控云台各种功能



M 按键

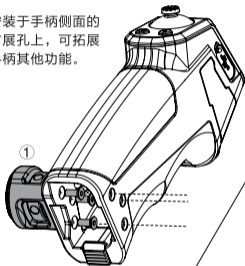
单击：切换云台模式
双击：竖拍模式,再次双击 M 键取消竖拍模式。
三击：进入 360 旋转模式,重复可退出。360 旋转模式下,向左或向右连续摇动摇杆两次,
可使相机自动旋转,双击扳机键可停止。
长按不放：进入运动模式。长按并双击扳机锁定运动模式,(不需保持长按不放)重复操作可退出。



* 控制手柄标配1个牙盘转接件，可根据需求自由切换。

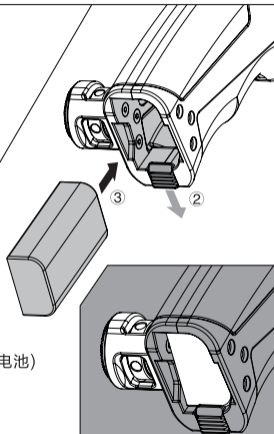
1. 安装①牙盘转接件

安装于手柄侧面的
扩展孔上，可拓展
手柄其他功能。



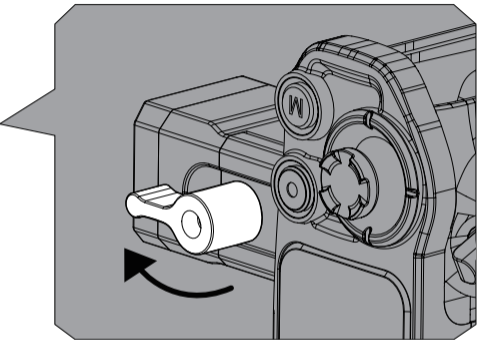
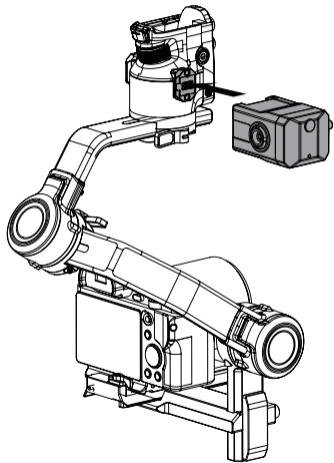
2. 安装③电池(产品中不含F550/F570电池)

插入③F550/F570电池，即可开机操作。
(使用手柄时需搭配控制接收盒)



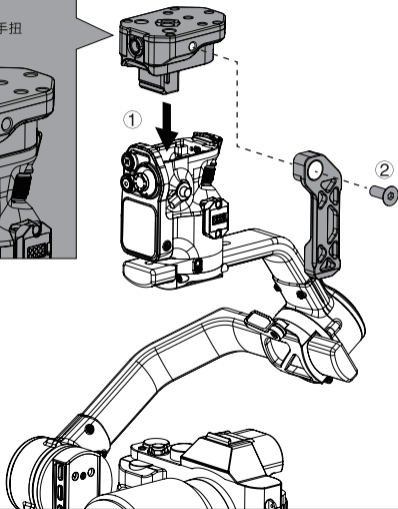
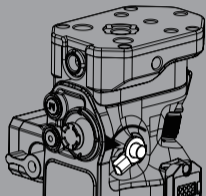
06

安装控制接收盒



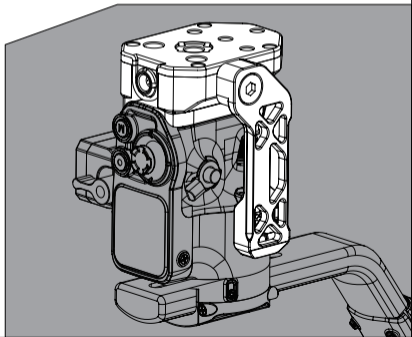
将控制接收盒安装至DJI RS2右边的NATO接口上并拧紧手扭螺丝，此时显示灯为绿色。（安装时需根据说明书来使用，以免对触针造成损坏）

插入后拧紧云台手扭



07 安装RS 2专用供电底座

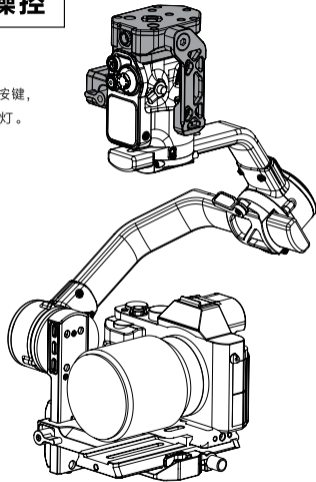
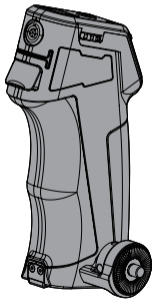
1. 将①RS 2供电底座插入RS 2云台中，稳固搭载RS 2云台。
2. 将②加强杆锁紧在RS 2供电底座上，全面提升拍摄稳定性，避免机器意外跌落。



08

控制手柄对频方式 实现无线远程操控

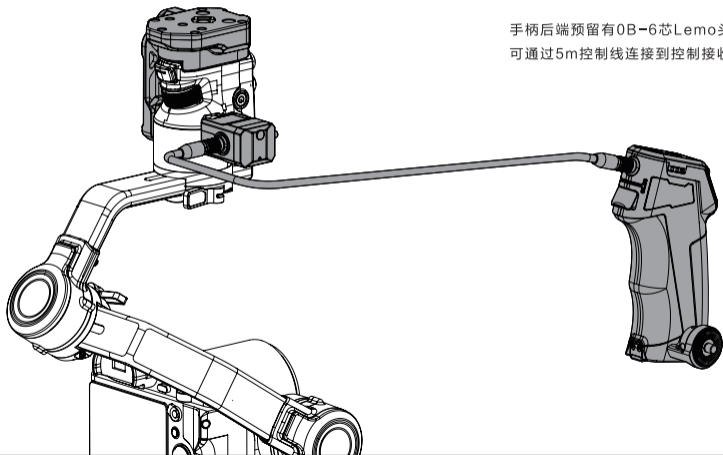
同时按住M键和录制键可快速进入自动搜索状态，再双击RS2接收盒上的按键，指示为红灯闪烁，此时控制手柄搜索连接后，RS2接收盒的指示灯自动变绿灯。对频成功，控制手柄可以无线操控云台，无线距离为80M。



09

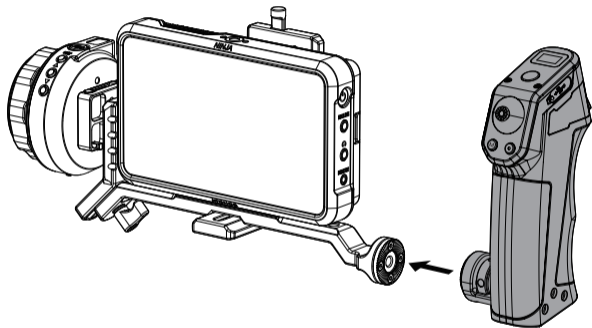
可连接5m(0B-6芯)控制线 实现精准控制

手柄后端预留有0B-6芯Lemo头(13-17v)电源输入口
可通过5m控制线连接到控制接收盒上, 实现精准控制。



10

控制手柄搭配监看支架(选配)

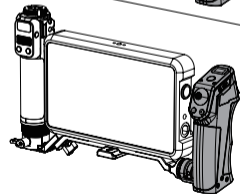
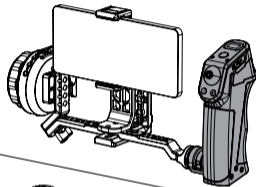


监看支架——为车载设备控制RS 2云台设计

1. 将控制手柄通过牙盘转接件安装到监看支架上，再拧紧完成装配。
可实现远程控制和实时监看。

[拓展使用]

2. 监看支架可搭配原力N手轮进行跟焦



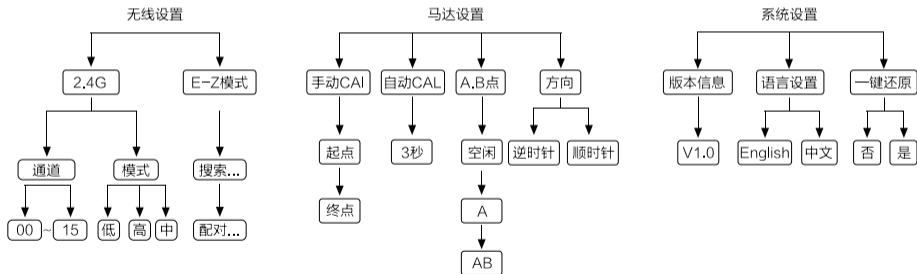
3. 搭配双跟焦手柄来进行跟焦/变焦

长按开机键 进入菜单键

单击开机键 回到主菜单

双击开机键 云台休眠

进入菜单栏 (M键是确定键, 录制键是返回键, 摇杆 (上下为上下选, 左右无效, 长按3S为快速选择)



Thank you for purchasing a TILTA product. What is mentioned in this article is related to your safety, legal rights and liabilities. Before using this product, please read this article carefully to ensure a proper configuration. Failure to follow the instructions or any disregard for the warnings may cause harm to you and other people, and may cause damage to this product and surrounding objects. TILTA owns the right to final interpretation of this document and all other collateral documents. Updates on information are subject to change without prior notice. For up-to-date product information, please visit the official website, www.tilta.com.

By using this product, you hereby signify that you have read this disclaimer and warning carefully and that you understand, agree to, and accept the terms and conditions herein. You agree that you are solely responsible for your own conduct while using this product and for any consequence thereof. You agree to use this product only for proper purposes and abide by all the terms, policies and guidelines TILTA has made and may make.

TILTA accepts no liability for damage, injury or any legal responsibility incurred directly or indirectly from the use of this product. The user shall observe safe practices including, but not limited to, those set forth in this document.

Despite the terms mentioned above, consumers' rights and interests are still protected by local laws and regulations, and are not affected by this disclaimer.

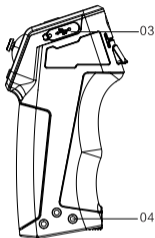
TILTA is a trademark of Shenzhen TILTA Technology Co., Ltd. and its affiliated companies. Product names and brands in this document are trademarks or registered trademarks of its affiliates.

13

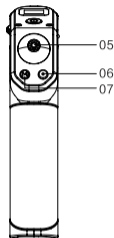
REMOTE CONTROL HANDLE OVERVIEW



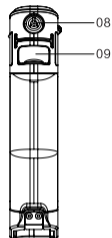
SIDE



FRONTAL



BACK



TOP



BOTTOM

01 Side wheel

02 Expansion mounting hole

03 USB-C port

04 Expansion mounting hole

05 Joystick

06 Camera control key

07 Mode M key

08 LEMO port

09 Trigger

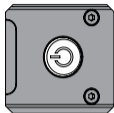
10 Display

11 Power button

12 Battery release

14

REMOTE CONTROL HANDLE FUNCTIONS



POWER BUTTON

3 seconds hold: Press and to power on or off.

Single click: Switch interface

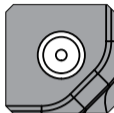
Double click: Gimbal sleep mode



TRIGGER

Single click: Start smart following (wireless video system not activated).

Double click: Reset gimbal

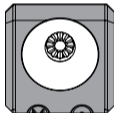


CAMERA CONTROL

Half way hold: Auto focus control

Quick click: Start/stop recording

Long hold: Take photos



JOYSTICK

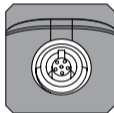
Up & down: Control tilt (default setting)

Left & right: Control pan (default setting)



SIDE WHEEL

Turn the wheel clock-wise to speed up the gimbal movement. Turn the wheel counter-clock-wise to slow down the gimbal movement.



LEMO PORT

To control the gimbal, connect the 6-pin LEMO port and the remote control receiver module via the 6-pin LEMO cable.



M KEY

Single click: Switch gimbal modes.

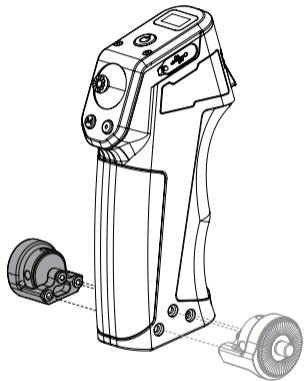
Double click: Vertical mode. Double click again to exit the vertical mode.

Triple click: 360 mode. Repeat triple click to exit 360 mode. Under 360 mode, pressing the joy stick twice either left or right will make the camera spin automatically. Double click trigger to stop this action.

Long hold: Sports mode. Hold while double-clicking the trigger will lock the sports mode (no need to hold too long). Repeat the same action to exit the sports mode.

15

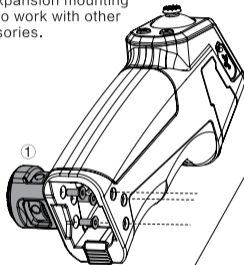
REMOTE CONTROL HANDLE ASSEMBLY



* The remote control handle comes with one standard rosette adapter. It can be mounted on either side of the handle.

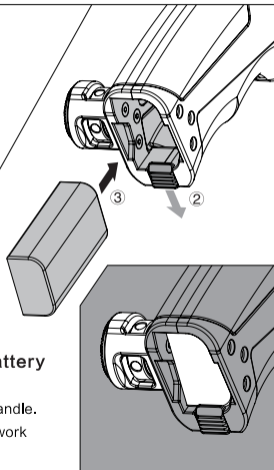
1. Installing ① rosette adapter.

Install the rosette adapter on the side expansion mounting holes to work with other accessories.



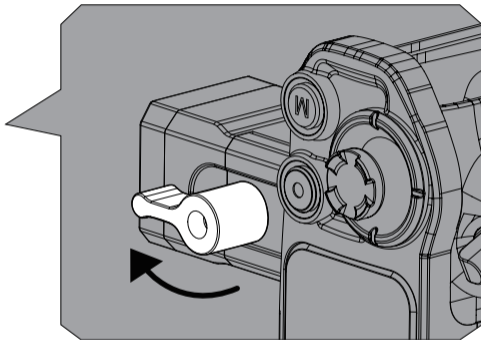
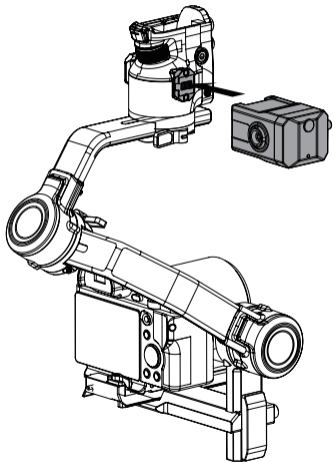
2. Installing ③ battery (F550/F570 battery is not included)

Insert ③ F550/F570 battery and power on the handle.
(Remote control receiver module is required to work with the handle.)



16

INSTALLING REMOTE CONTROL RECEIVER MODULE

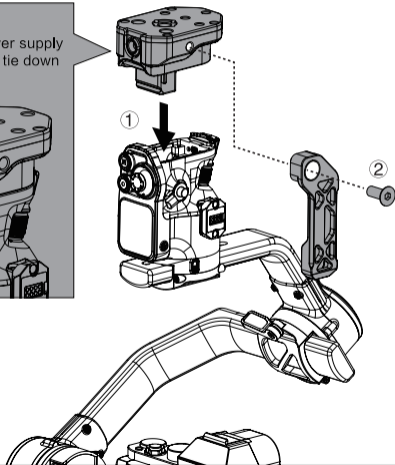
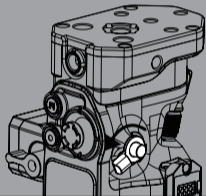


Attach the remote control receiver module to the NATO rail on the right side of DJI RS 2. Tighten the tie down. The indicator light will blink green. (Please follow the instructions for the installation to avoid damage to the contact points.)

17

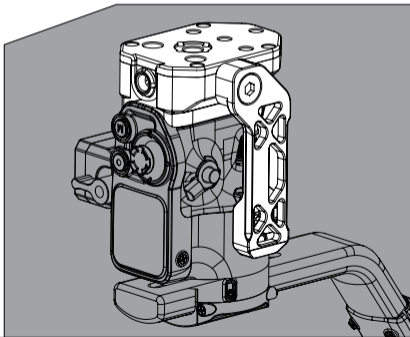
INSTALLING POWER SUPPLY BASE PLATE FOR RS 2

After inserting the power supply base plate, tighten the tie down on the gimbal.



1. Insert ① power supply base plate into RS 2 gimbal.

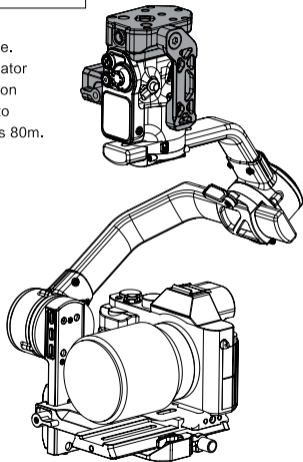
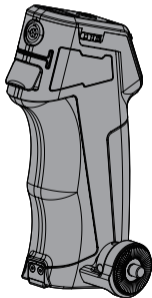
2. To secure the power supply base plate, prevent gimbal from falling, and improve shooting stability, attach ② holding bracket and tighten it with the screw.



18

PAIRING THE REMOTE CONTROL HANDLE FOR WIRELESS REMOTE OPERATION

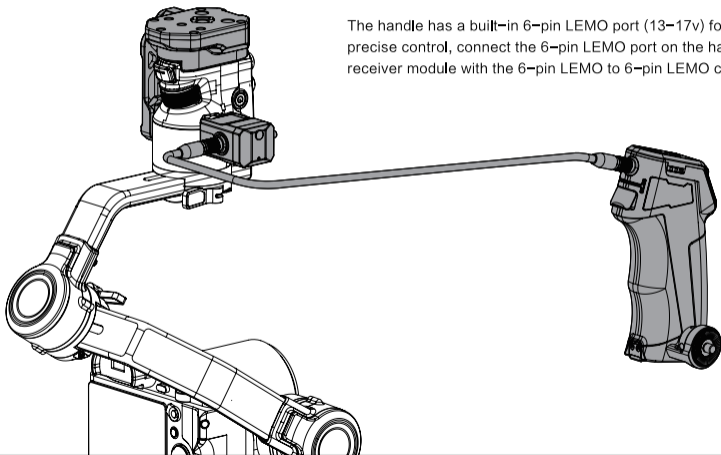
Hold M key and record key at the same time to quickly enter auto-search mode. Then double-click the button on the remote control receiver module. The indicator light will blink red. When the remote control handle is connected, the indicator on the receiver module will turn green. Once the pairing is done, you will be able to control the gimbal wirelessly from the handle. The maximum control distance is 80m.



19

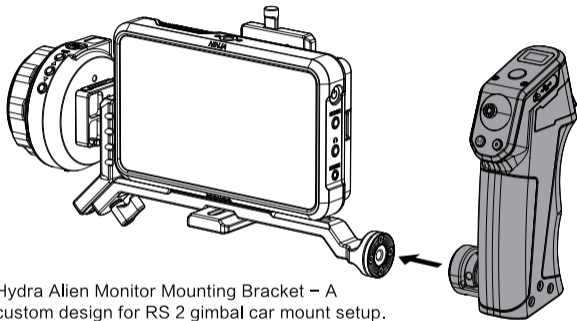
USE 6-PIN LEMO TO 6-PIN LEMO CABLE FOR PRECISE CONTROL

The handle has a built-in 6-pin LEMO port (13-17v) for power supply. For more precise control, connect the 6-pin LEMO port on the handle to the remote control receiver module with the 6-pin LEMO to 6-pin LEMO cable.



20

WORKING WITH HYDRA ALIEN MONITOR BRACKET (OPTIONAL)

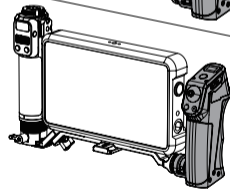
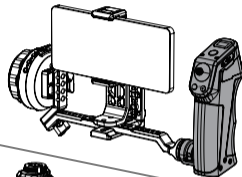


Hydra Alien Monitor Mounting Bracket – A custom design for RS 2 gimbal car mount setup.

1. To achieve remote control and real time monitoring, attach the remote control handle to the monitor bracket through the rosette adapter. Tighten the tie down.

[OTHER ASSEMBLIES]

2. For follow focus control, use the Hydra Alien Monitor Bracket with the Tilta Nucleus –Nano lens control system.



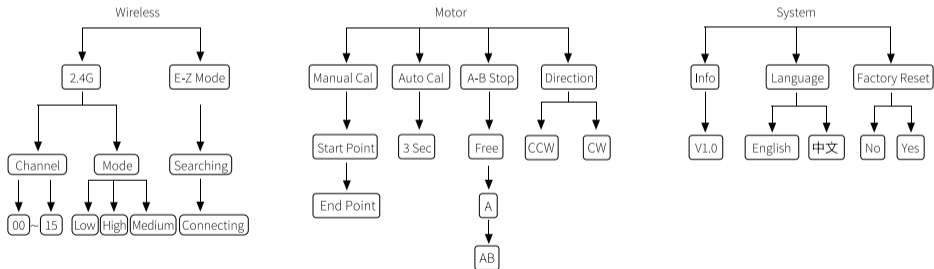
3. For focus/zoom control, use the Hydra Alien Monitor Bracket with the Dual Channel Wireless Lens Control Handle.

Long Hold Power Button: Enter the menu settings

Single Click Power Button: Back to the main menu

Double Click Power Button: Gimbal sleep mode

Enter Menu Settings: To confirm, press M key. To return to the previous menu, press the camera control key. To move up and down, push the joystick up and down. To quickly select, hold the joystick for 3 seconds.



TILTA

版权由深圳铁头科技有限公司所有

需授权方可转载

本公司有权在不提前通知的情况下修改产品参数

TILTA 是深圳铁头科技有限公司的注册商标

官方网站: tilta.com.cn www.tilta.com

中国地址: 深圳市光明新区光侨路转7号路 侨德高新科技园B栋2楼

全国服务热线: 4006 1998 67

All copyrights belong to Tilta Technology Co. Ltd.

Written permission is needed for any reproductions.

Tilta has the right to adjust product specification without notice.

TILTA is a registered trademark owned by Tilta Technology Co., Ltd.

Website: www.tilta.com

US Address: 2801 W Magnolia Blvd, Burbank, CA 91505

US Contact Number: +1(818)651-4991



关注微信公众号



扫码进入官网

REMOTE CONTROL KIT FOR RS 2

RS 2控制套装